

# EVO E DATA SHEET



**5**  
YEAR  
WARRANTY



## Features

- \* High strength spring installation, screwless terminal block
- \* IP 54 rated, 10 years anti-corrosion protection
- \* Suitable for cutting holes with diameter from 68~83mm
- \* 50,000 hours L90F10 lifetime , 5 years limited warranty.
- \* Compatible with leading edge or trailing edge dimmers
- \* Flicker free, CRI up to Ra98
- \* Complied with IEC/EN62471 photobiological safety standard

## Electrical and Photometric Characteristics

LED module power	6W
Input voltage of LED module	36VDC
IP rating	IP54
Nominal flux	540lm @ 3000K
CRI	Ra 98
SDCM	2 steps
Beam angle	45°
L90 Lifetime at Ta: 25°C	50,000 hrs
L80 Lifetime at Ta: 25°C	100,000 hrs
Switching cycles	> 100,000 times
Safety class of LED module	Class III
Energy class of LED module	F
Power with driver	7.5W
Nominal Voltage	220-240Vac 50/60Hz
Input current	38mA
Inrush current	< 2A
Power Factor	0.9
Working temperature range	-20°C ...+40°C
Percent flicker	< 2%
PstLM	< 1
SVM	< 0.4
Dimmable	Yes
IP rating of driver	IP20



## Operation and Maintenance Tips

- \* Turn power off before inspection, installation or removal
- \* Lamps should be kept free from contamination.
- \* The luminaire is not suitable for emergency lighting
- \* All install and uninstall shall be done by a certified electrician
- \* Do not operate luminaire with damaged parts
- \* Exceeding maximum ratings for operating temperature and input voltage will reduce expected life time or destroy the product.

## Energy Class

This product contains a light source in the energy efficiency class: **F**



## Specifications

EAN Code	Module Wattage*	Size mm (DxH)	CCT (Kelvin)*	Rated Flux (Lm) *	CRI (Ra)*	Beam angle*	Energy Class	SDCM	Anti-corrosion Warranty (year)
<b>EVO E Indendørs/Udendørs Hvid</b>									
5703051101003	6	90x42	2700	520	98	45°	F	2	10
5703051102000	6	90x42	3000	540	98	45°	F	2	10
<b>EVO E Indendørs/Udendørs Sort</b>									
5703051103007	6	90x42	2700	520	98	45°	F	2	10
5703051104004	6	90x42	3000	540	98	45°	F	2	10
<b>EVO E Sunfall Indendørs/Udendørs Hvid</b>									
5703047101000	6	90x42	2500-3000	480	98	45°	F	3	10
<b>EVO E Sunfall Indendørs/Udendørs Sort</b>									
5703047102007	6	90x42	2500-3000	480	98	45°	F	3	10

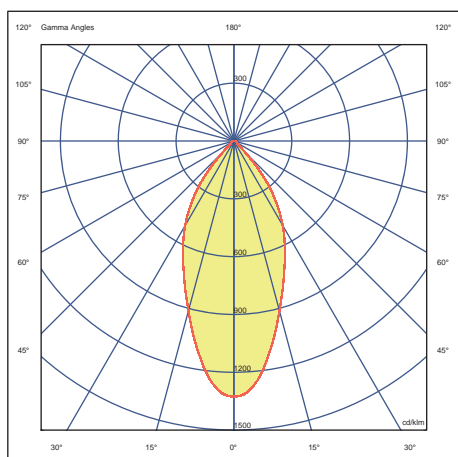
\* Due to the special conditions of the manufacturing processes of LED, the typical data of technical parameters can only reflect statistical figures and do not necessarily correspond to the actual parameters of each single product which could differ from the typical value. A max 10% tolerance is deemed to be acceptable in any case.

\* 38D version also available upon request.

## Maximum loading of automatic circuit breakers

Breaker type	C10	C13	C16	C20	B10	B13	B16	B20	Inrush current	Inrush time
EVO E	120	160	200	240	60	80	100	120	I <sub>max</sub> 2A	150µs

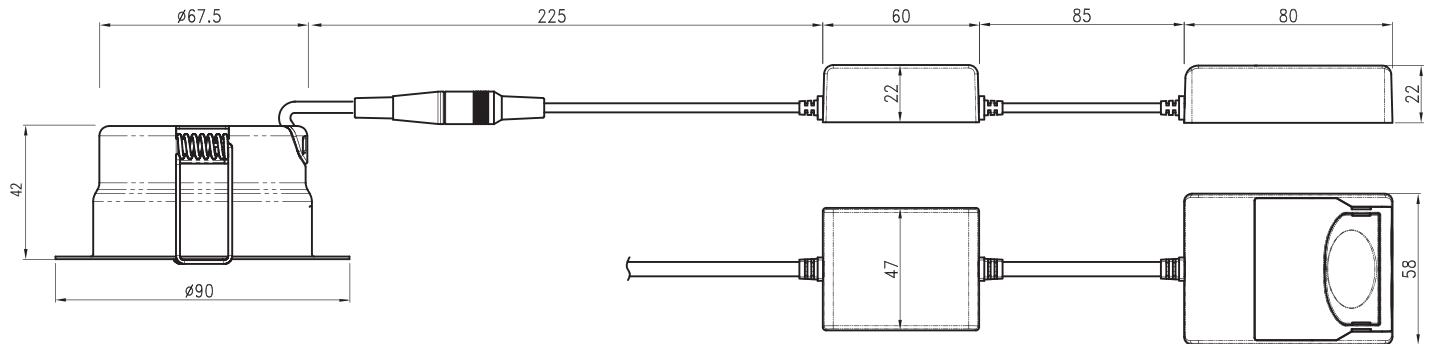
## Distribution of luminous intensity



## Dimension Diagram

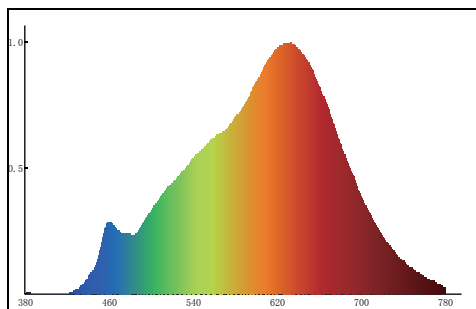
Item	Outer Diameter (mm)	In-ceiling Height (mm)	Cut-hole (mm)
LED Module IP54	90	40	68-83

Item	Length (mm)	Width (mm)	Height (mm)
Connector box IP20	80	58	22
Driver box IP20	60	47	22

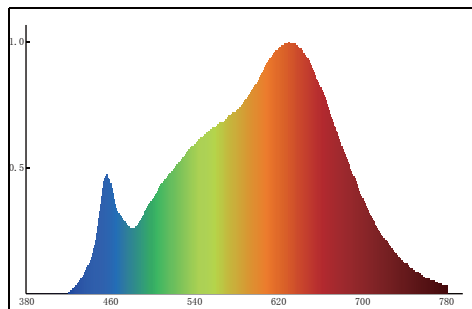


## Spectrum Distribution

Warm white - 2700K



Warm white - 3000K



## Lifetime

