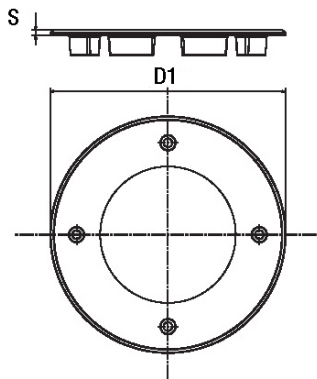


**PASSUM UP Ø 125 - CHANGEABLE FLANGES -
ALUMINIUM - 1521**



CODE NO.	1521
LAMP	
WATTAGE	
VOLTAGE	
IP	
IK	
CLASS	
CERTIFICATION	CE
CONFORMITY	
COLOURS	GM
ENERGY CLASS	

SPECIFICATIONS

- Covering flange in die-cast aluminium
- Primary Al alloy low copper content
- Painted in double hand by polyester powders after phosphochrome
- Suitable to PASSUM 125 mm diameter - code no. 1422-1424-1495-1496-1401
- Normally supplied separately by the light body
- On request assembled to the light body, tighten and oriented

DIMENSIONS

- D1 Ø125 mm
- S 3 mm

