

# EVO1-12V DATA SHEET



**5**  
YEAR  
WARRANTY



IP54

## Operation and Maintenance Tips

- \* Turn power off before inspection, installation or removal
- \* Lamps should be kept free from contamination.
- \* The luminaire is not suitable for emergency lighting
- \* All install and uninstall shall be done by a certified electrician
- \* Do not operate luminaire with damaged parts
- \* The product must work with constant voltage LED driver

## Energy Class



## Product information

The **EVO1-12V** Mini Downlight is a nice product suitable for most shelf, kitchen or cabinet lighting. Very low profile and easy installation.

## Features

- \* Wago terminals enable easy wiring work
- \* IP 54 rated, suitable for damp locations
- \* Suitable for cutting holes with diameter from 56~62mm
- \* Suitable for recessed installation or surface mounted installation
- \* 50,000 hours lifetime (L90B10). 5 Year Limited Warranty.
- \* In ceiling height 10.7 mm, CRI up to Ra97
- \* Complied with IEC/EN62471 photobiological safety standard

## Electrical and Photometric Characteristics

Nominal Voltage:	12Vdc
Input current:	230mA
Power Factor:	NA
Working temperature range:	-20°C ...+40°C
Starting time:	< 0.5 s
L90B10 Lifetime at Ta: 25°C	50,000 hrs
Switching cycles:	> 100,000 times
Beam angle:	60°
Dimmable:	Yes*
SDCM:	3 steps
Safety class	Class III
IP rating:	IP54
PstLM	< 1
SVM	< 0.4

\* Exceeding maximum ratings for operating temperature and input voltage will reduce expected life time or destroy the product.  
\* The product is dimmable when being used together with ALED dimmable constant voltage driver

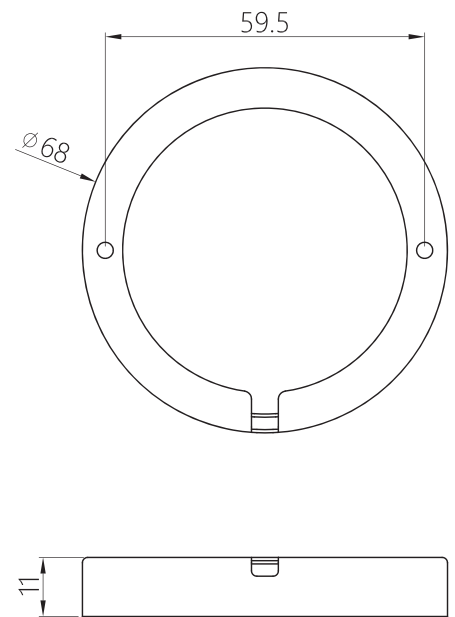
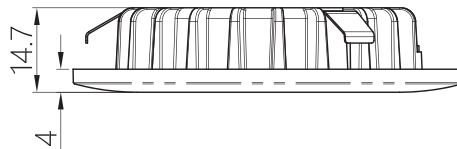
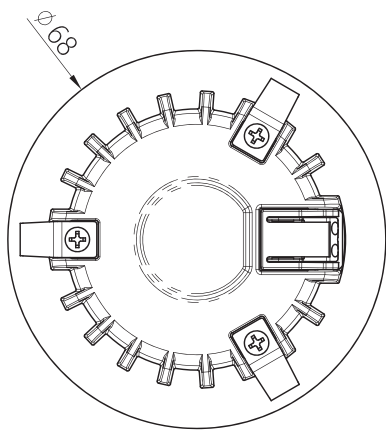
# Specifications

EAN 13 Code	Module Wattage*	Input Voltage	CCT (Kelvin)*	Rated Flux (Lm) *	CRI (Ra)*	Beam angle*	Energy Class	SDCM	Trim Color	Size mm (DxH)
<b>EVO1-12V Hvid</b>										
5703060000113	2.8 W	12 Vdc	2700 K	260 Lm	97 Ra	60°	F	3	White	68x14.7
5703060000120	2.8 W	12 Vdc	3000 K	280 Lm	97 Ra	60°	F	3	White	68x14.7
<b>EVO1-12V Børstet</b>										
5703060000137	2.8 W	12 Vdc	2700 K	260 Lm	97 Ra	60°	F	3	Brushed	68x14.7
5703060000144	2.8 W	12 Vdc	3000 K	280 Lm	97 Ra	60°	F	3	Brushed	68x14.7
<b>EVO1-12V Sort</b>										
5703060000151	2.8 W	12 Vdc	2700 K	260 Lm	97 Ra	60°	F	3	Black	68x14.7
5703060000168	2.8 W	12 Vdc	3000 K	280 Lm	97 Ra	60°	F	3	Black	68x14.7

\* Due to the special conditions of the manufacturing processes of LED, the typical data of technical parameters can only reflect statistical figures and do not necessarily correspond to the actual parameters of each single product which could differ from the typical value. A max 10% tolerance is deemed to be acceptable in any case.

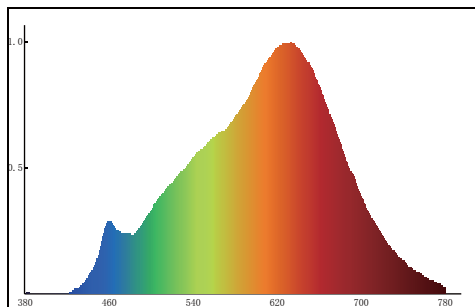
\* The product needs to work with constant voltage LED driver

EAN 13 Code	Material	Trim Color	Size mm (DxH)
<b>EVO1-12V Påbygningsring Hvid</b>			
5703060000175	Metal	White	68x11
<b>EVO1-12V Påbygningsring Børstet</b>			
5703060000182	Metal	Brushed	68x11
<b>EVO1-12V Påbygningsring Sort</b>			
5703060000199	Metal	White	68x11



# Spectrum Distribution

Warm white - 2700K



Warm white - 3000K

