

EVO D ISOsafe DATA SHEET



5
YEAR
WARRANTY



Product information

Thanks to its anti-glare design, the **EVO D** family are perfect option for both indoor and outdoor applications. The new connector box is compatible with different types of cables and plastic tubing.

Features

- * High strength spring installation, screwless terminal block
- * IP 54 rated, suitable for both indoor and outdoor applications
- * Suitable for 83 mm cutting out holes
- * 50,000 hours lifetime (L90B10). 5 Year Limited Warranty.
- * Compatible with both leading edge & trailing edge dimmers
- * Flicker free, CRI up to Ra97
- * Complied with IEC/EN62471 photobiological safety standard



IP54

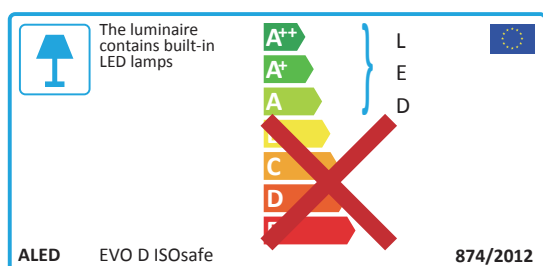
Operation and Maintenance Tips

- * Turn power off before inspection, installation or removal
- * Lamps should be kept free from contamination.
- * The luminaire is not suitable for emergency lighting
- * All install and uninstall shall be done by a certified electrician
- * Do not operate luminaire with damaged parts

Electrical and Photometric Characteristics

Nominal Voltage:	AC 220-240V
Operating frequency:	50/60Hz
Input current:	45mA
Inrush current:	< 2A
Power Factor:	0.9
Working temperature range:	-20°C ...+40°C
Starting time:	< 0.5 s
L90B10 Lifetime with Ta: 25°C	50,000 hrs
Switching cycles:	> 100,000 times
Percent flicker:	< 2%
Flicker index:	0.004
Beam angle:	60°
Dimmable:	Yes
SDCM:	3 steps
Risk group (EN 62471:2008)	RG1
IP rating:	IP54
EEC:	A+

Energy Label



* Exceeding maximum ratings for operating temperature and input voltage will reduce expected life time or destroy the product.

Specifications

EAN Code	Module Wattage*	Size mm (DxH)	CCT (Kelvin)*	Rated Flux (Lm) *	CRI (Ra)*	Beam angle*	Energy Class	SDCM	Trim Color	LPW
EVO D ISOsafe Hvid										
5703058001108	7	90x49	2700	630	97	60°	A+	3	White	90
5703058001207	7	90x49	3000	650	97	60°	A+	3	White	93
EVO D ISOsafe Sort										
5703058001306	7	90x49	2700	630	97	60°	A+	3	Black	90
5703058001405	7	90x49	3000	650	97	60°	A+	3	Black	93
EVO D ISOsafe Udendørs Hvid										
5703058001504	7	90x49	2700	630	97	60°	A+	3	White	90
5703058001603	7	90x49	3000	650	97	60°	A+	3	White	93
EVO D ISOsafe Udendørs Sort										
5703058001702	7	90x49	2700	630	97	60°	A+	3	Black	90
5703058001801	7	90x49	3000	650	97	60°	A+	3	Black	93
EVO D ISOsafe Sunfall Hvid										
5703058001107	7	90x49	2500-3000K	560	97	60°	A+	3	White	80
EVO D ISOsafe Sunfall Sort										
5703058001206	7	90x49	2500-3000K	560	97	60°	A+	3	Black	80

* Due to the special conditions of the manufacturing processes of LED, the typical data of technical parameters can only reflect statistical figures and do not necessarily correspond to the actual parameters of each single product which could differ from the typical value. A max 10% tolerance is deemed to be acceptable in any case.

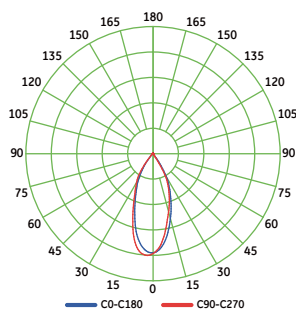
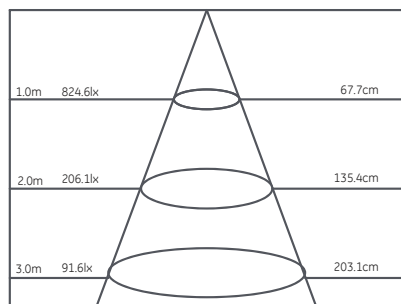
* System power consumption 9W, 25D and 38D version also available upon request.

Maximum loading of automatic circuit breakers

Breaker type	C10	C13	C16	C20	B10	B13	B16	B20	Inrush current	Inrush time
EVO D ISOsafe	120	160	200	240	60	80	100	120	I _{max} 2A	180µs

This are max. values calculated out of inrush current! Please consider not to exceed the maximum rated continuous current of the circuit breaker. Actual values may differ due to used circuit breaker types and installation environment.

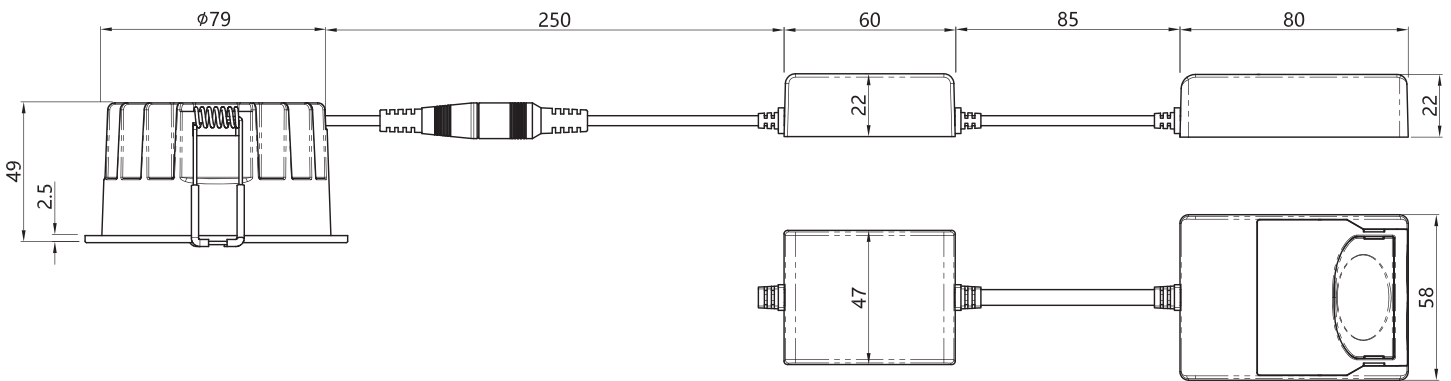
Distribution of luminous intensity



Dimension Diagram

Item	Outer Diameter (mm)	In-ceiling Height (mm)	Cut-hole (mm)
LED Module	90	46.5	55-64

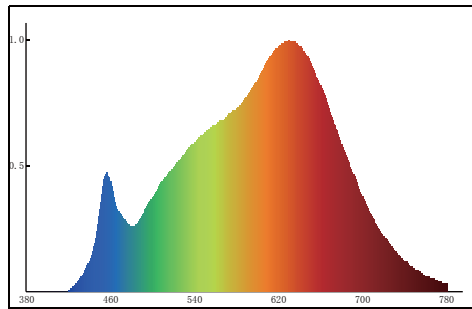
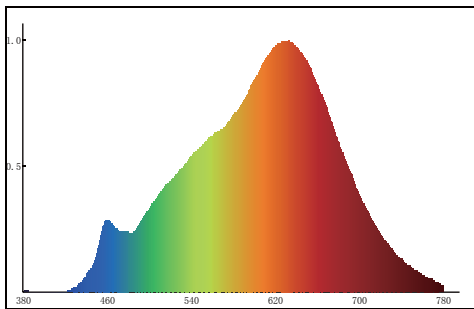
Item	Length (mm)	Width (mm)	Height (mm)
Connector box	80	58	22
Driver box	60	47	22



Spectrum Distribution

Warm white - 2700K

Warm white - 3000K



Lifetime

