

# ALED

## Detriot 150W Asymmetrisk



≥0.95	80 Ra	IP66	IK08	4KV/10KV	≥50000 Hrs	AC 100-277V	47-63Hz
Power Factor	CRI	IP Level	IK Level	Surge Voltage	TM-21(L70)	Input Voltage	Power Frequency



## Product information

A LED's Slimline LED Flood Light Detroit series is the environmentally preferred alternative to traditional metal halide lamps. It is the maintenance free and cost-effective solution to be widely used in illuminating facades, landscapes, parking areas, and apartment complexes.

## Features

- \* Easy replacement of LED module and driver
- \* High Output LED's, up to 130lm/W
- \* Durable tempered glass front
- \* L90 lifetime 50K hours (Ta 25°C)
- \* L80 lifetime 100K hours (Ta 25°C)
- \* IP66, indoor& outdoor use
- \* Quick to install and easy to use, secure and reliable

## Product data

### General Information

Light source type	LED
Number of LED module	1 pcs
Beam angle of LED module	TYPE-III
Color temperature	4000K neutral white
CRI	80
LED module replaceable	No
Number of LED driver	1 unit
Driver included	Yes
Driver replaceable	Yes
L90 lifetime of LED module	50,000 hrs
L80 lifetime of LED module	100,000 hrs
LED module lumen	19500 lm

### Operating and Electrical

Input Voltage	100-277Vac
Input frequency	50 to 60 Hz
System wattage	150W
Inrush current	230Vac/110A 277Vac/125A
Inrush time	0.350 ms(50W)/0.15ms(100-400W)
Power factor	0.95
Leakage current	0.75 mA

Max. units per circuit B16 breaker	150W 8PCS
Max. units per circuit C16 breaker	150W 13PCS

Surge protection	L-N:6KV
Ambient temperature range	-20°C to + 40°C
Performance ambient temperature Tq	+25°C

SDCM	6 steps
Optical type	Lens
Control and dimming	No Dimming
Connection type	3 pole connector
Protection class IEC	Safety class I
Glow-wire test	850°C
UGR	32
PstLM	< 1
SVM	< 0.4
CE Mark	Yes
EU RoHS compliant	Yes
Net weight (piece)	5 . 6 Kg

### Dimension

Overall length	394mm
Overall width	394mm
Overall height	56mm

### Mechanical and Housing

Housing material	Aluminium
Optical material	Polycarbonate
Housing color	Black
Heatsink material	Aluminum

Ingress protection code	IP 66
-------------------------	-------

Mech. impact protection code	IK 08
------------------------------	-------

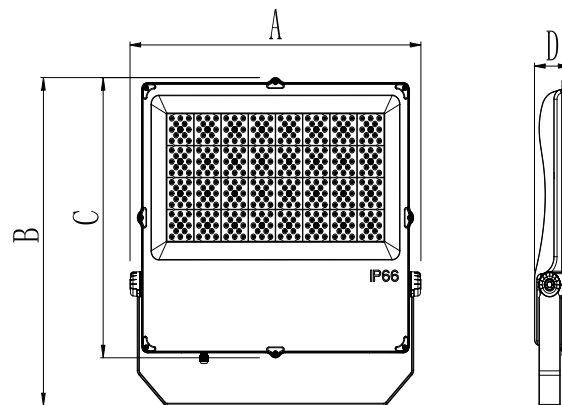
### Remarks

LED driver failure rate at	5 %
Power consumption tolerance	± 7 %

## Product picture



## Dimensional drawing



Model	A(mm)	B(mm)	D(mm)	N.W/PC
Detroit-150W	394mm	394mm	56mm	5.6Kg