



Product information

Detroit is a quality projector that is stocked in 20W, 50W, 100W, 200W and 400W. The projector is suitable where a lot of light is desired in large squares and other open areas. With optics for each diode, minimal glare is ensured

Features

- * High Output LED, up to 130lm/W
- * Durable tempered glass front
- * 92% Energy saving compare to Halogen
- * 5-year warranty on complete fixture
- * Quick to install and easy to use, secure and reliable
- * Suitable for both indoor and outdoor use



Product data

General Information

Light source type	LED
Number of LED module	1 pcs
Beam angle of LED module	90°
Color temperature	4000K neutral white
CRI	80
LED module replaceable	Yes
Number of LED driver	1 unit
Driver included	Yes
Driver replaceable	Yes
L70 lifetime of LED module	50,000 hrs
LED module lumen	130Lm/W±5%

Operating and Electrical

Input Voltage	220-240 Vac
Input frequency	47 to 63 Hz
System wattage	50w/100w/200w/400w
Inrush current	See Specifications
Inrush time	See Specifications
Power factor	0.95
Leakage current	See Specifications
Max. units per circuit B16 breaker	See Specifications
Max. units per circuit C16 breaker	See Specifications
Surge protection	See Specifications
Ambient temperature range	-20°C to + 50°C
Performance ambient temperature Tq	+25°C

SDCM	<6 steps
Optical type	PC
Control and dimming	No dimming
Connection type	3x1.5mm cable
Protection class IEC	Safety class I
Glow-wire test	850°C, 30 s
UGR	>26
PstLM	< 1
SVM	< 0.4
CE Mark	Yes
EU RoHS compliant	Yes
Net weight (piece)	See dimensial drawing

Dimension

Overall length	See dimensial drawing
Overall width	See dimensial drawing
Overall height	See dimensial drawing

Mechanical and Housing

Housing material	Aluminum
Optical material	Hærdet glas/Optik
Housing color	Black
Heatsink material	Aluminum
Ingress protection code	IP 66
Mech. impact protection code	IK 08

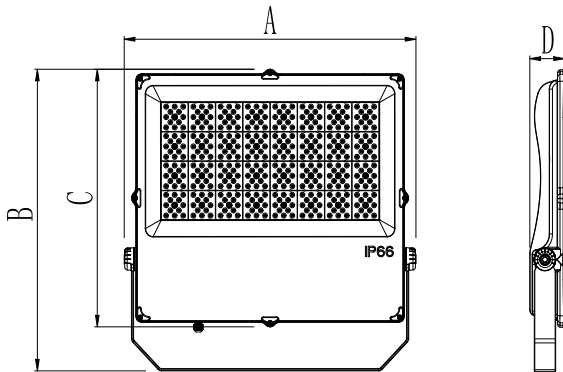
Remarks

LED driver failure rate at 50,000hrs	5 %
Power consumption tolerance	± 7 %

Product picture



Dimensional drawing



Model	A(mm)	B(mm)	D(mm)	N.W/PC	G.W/CTN	Qty/CTN	Size/CTN
Detroit-20W	122mm	182mm	47mm	0.8KG	16KG	20PCS/CTN	405X275X290mm
Detroit-50W	228mm	288mm	52mm	1.8KG	18.0KG	10PCS/CTN	475X310X315mm
Detroit-100W	278mm	364mm	53mm	2.6KG	13.0KG	5PCS/CTN	390X305X315mm
Detroit-200W	394mm	445mm	56mm	5.8KG	6.6KG	1PCS/CTN	490X420X115mm
Detroit-400W	545mm	523mm	65mm	10.8KG	12.3KG	1PCS/CTN	580X550X115mm

Specifications

Detroit	50W	100W	200W	400W
Inrush current	230Vac/50A	277Vac/160A	277Vac/125A	277Vac/250A
Inrush time (ms)	350uS	150uS	150uS	150uS
Leakage current (mA)	≤0.75mA	≤0.75mA	≤0.75mA	≤0.75mA
Max. units per circuit B16 breaker B16	5PC	12PCS	6PCS	3PCS
Max. units per circuit C16 breaker C16	8PCS	22PCS	11PCS	6PCS
Surge protection(KV L-N)	L-N:4KV	L-N:6KV	L-N:6KV	L-N:6KV
SDCM	<6	<6	<6	<6
Control and dimming	No dimming	No dimming	No dimming	No dimming
Glow-wire test	850°C	850°C	850°C	850°C
UGR	32	32	32	32
PstLM	<1	<1	<1	<1
SVM	<0.4	<0.4	<0.4	<0.4
Leak current	0,30mA	0,15mA	0,21mA	0,4mA