

AUGUSTA GEN2 DATA SHEET



5
YEAR
WARRANTY

Product information

AUGUSTA GEN2 er produceret og designet til montage i barske miljøer, som eksempelvis havne. Leveres i 150W, 240W eller 300W med asymmetrisk lysspredning. Augusta GEN2 har DALI som standard, da dette åbner op for at lave trådløs intelligent styring med eksempelvis Casambi for at optimere besparelsen.

Features

- * Marine grade salty spray protection
- * Asymmetrical optic system
- * Easy replacement of LED and driver
- * Safety class I, flicker free
- * L96 - 100.000 at 10°C
- * Spare parts available upon request



Operation and Maintenance Tips

- * Turn power off before inspection, installation or removal
- * The product should be kept free from contamination.
- * All install and uninstall shall be done by a certified electrician
- * Do not operate luminaire with damaged part.
- * Do not cover the luminaire when installed.
- * Exceeding maximum ratings for operating temperature and input voltage will reduce expected life time or destroy the product.

Energy Class

This product contains a light source in the energy efficiency class: **C**

Replaceability



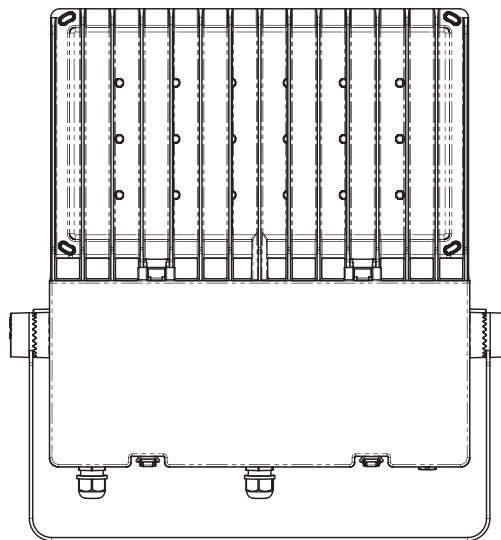
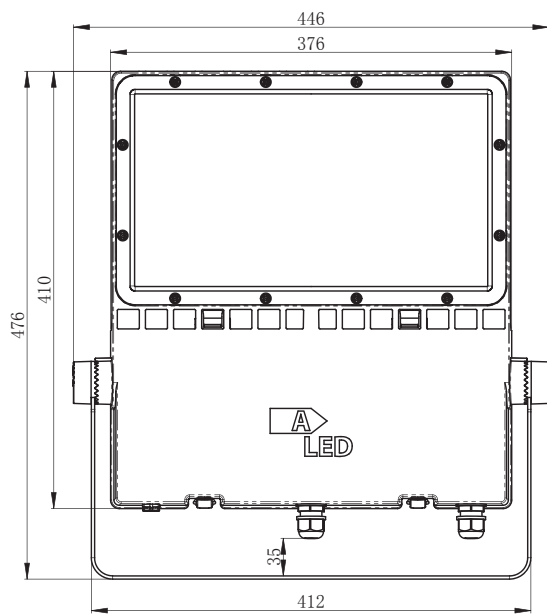
General information

Light source type	LED
Protection class IEC	Class I
Optical cover type	Tempered glass
Driver included	Yes
Glow-wire test	Temperature 960°C
Driver input voltage	100-305Vac
Power Factor	> 0.97
Working temperature range	-40°C ~ +45°C
Housing material	Aluminum die cast
Housing color	Black
Fixation material	Stainless steel
Overall length	476 mm
Overall width	446 mm
Overall height	56 mm
Effective projected area	0.16 m ²
Ingress protection code	IP66
Mech.impact protection code	IK08
Risk group (EN 62471:2008)	RG1
SDCM	5

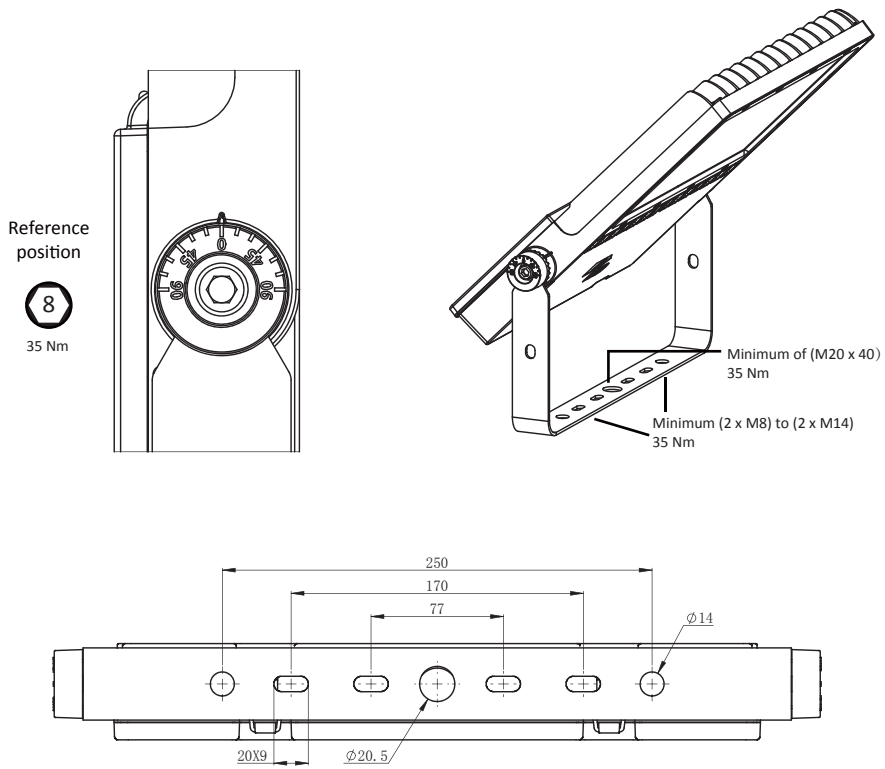
Product pictures



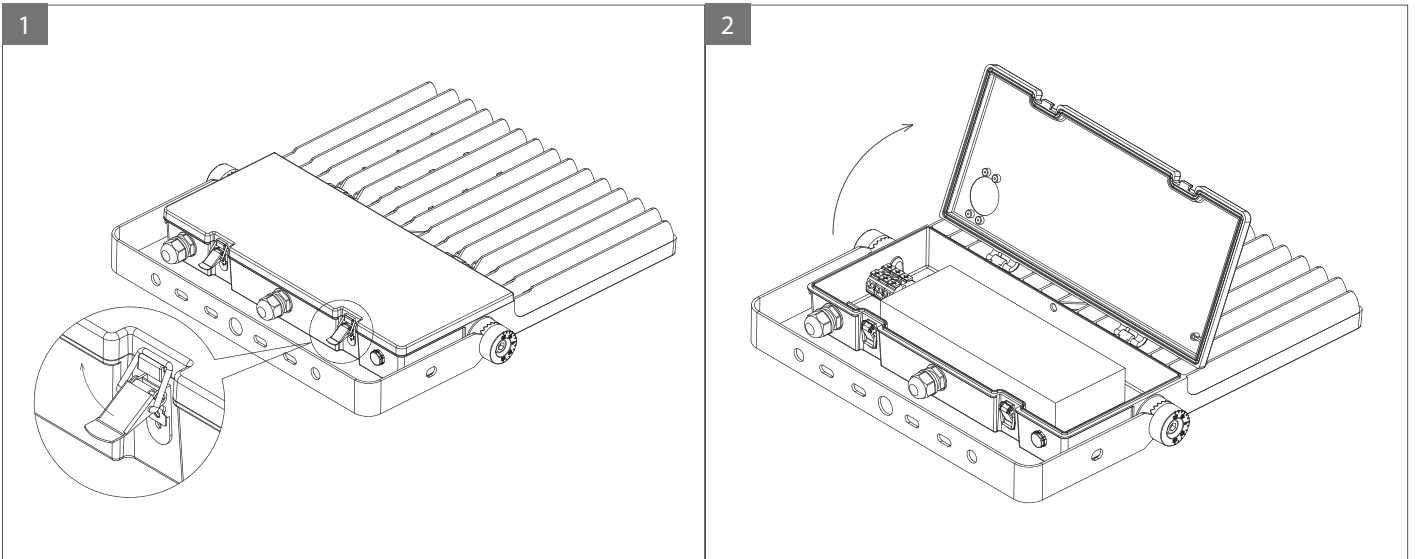
Dimension drawings



Bracket fixation and adjustment




Product opening

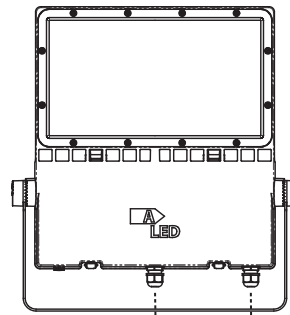
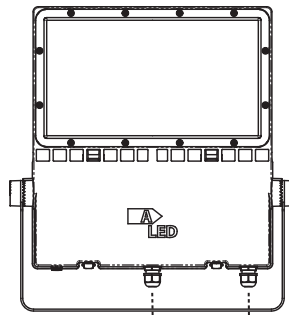
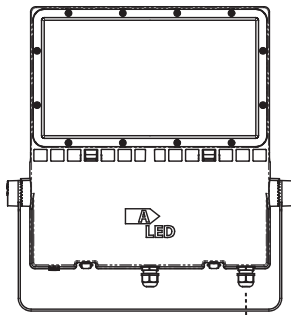


Connector and wiring diagram



Main connection Class-I
Wire section 0.75 - 4 mm²
Rated current: 32A

L	LINE (Brown)
	GROUD (Yellow & Green)
N	NEUTRAL (Blue)



Input line (230V)
L,N,G
DALI (if applicable)

Cable Diameter: Ø7-12 mm

Max load on breaker

Type of electrical protection installation		Maximum number of luminaires to install			
		Augusta 75W	Augusta 150W	Augusta 240W	Augusta 300W
MCB16A	B TYPE	5	3	4	2
	C TYPE	8	6	6	4

Inrush Current (230VAC) / Leak current	50A,350µs / 0,3mA	65A,550µs / 0,32mA	60A,510µs / 0,34mA	110A,50µs / 0,34mA
Luminaire Surge Protection	Line-Earth 6KV, Line-Line 4KV	Line-Earth 6KV, Line-Line 4KV	Line-Earth 6KV, Line-Line 4KV	Line-Earth 10KV, Line-Line 6KV



Additional surge protective device (SPD) is recommended to use if necessary !

Specifications

COLOR CODE	EAN	LUMEN	WATT		EPA m2	Ta Max. °C Outdoor	Ta Max. °C Indoor	Ta Min. °C	BEAM ANGLE Asymmetric	
740	5701025201001	10860	75	✓	0.16	45	35	-40	60x120	8.5 Kg
	5701025202008	21750	150	✓	0.16	45	35	-40	60x120	9.0 Kg
	5701025203005	34800	240	✓	0.16	45	35	-40	60x120	9.0 Kg
	5701025204002	40000	300	✓	0.16	35	30	-40	60x120	9.2 Kg
840	5701025201803	10125	75	✓	0.16	45	35	-40	60x120	8.5 Kg
	5701025202800	19500	150	✓	0.16	45	35	-40	60x120	9.0 Kg
	5701025203807	31200	240	✓	0.16	45	35	-40	60x120	9.0 Kg
	5701025204804	37500	300	✓	0.16	35	30	-40	60x120	9.2 Kg

* Due to the special conditions of the manufacturing processes of LED, the typical data of technical parameters can only reflect statistical figures and do not necessarily correspond to the actual parameters of each single product which could differ from the typical value. A max ±7% tolerance is deemed to be acceptable in any case.

Tc max. of PCBA = 95°C
Performance ambient temperature +10°C
Max designed wind speed: 52m/S

Lifetime and driver failure rate

