

EVO E RED DATA SHEET



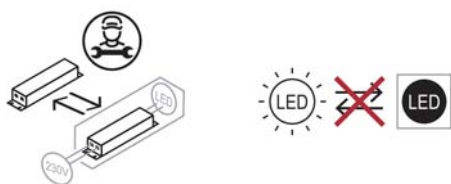
5
YEAR
WARRANTY



Operation and Maintenance Tips

- * Turn power off before inspection, installation or removal
- * Lamps should be kept free from contamination.
- * The luminaire is not suitable for emergency lighting
- * All install and uninstall shall be done by a certified electrician
- * Do not operate luminaire with damaged parts
- * Exceeding maximum ratings for operating temperature and input voltage will reduce expected life time or destroy the product.

Replacement



Features

- * High strength spring installation, screwless terminal block
- * IP 54 rated, 10 years anti-corrosion protection
- * Suitable for cutting holes with diameter from 68~83mm
- * 50,000 hours L90 lifetime , 5 years limited warranty.
- * Compatible with leading edge or trailing edge dimmers
- * Flicker free
- * Complied with IEC/EN62471 photobiological safety standard

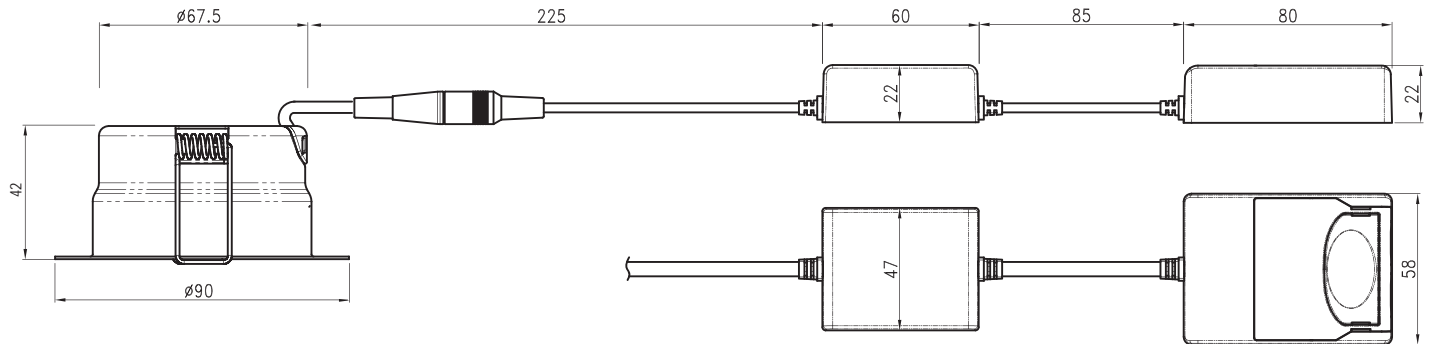
Electrical and Photometric Characteristics

EAN13 code	5703051105001
LED module power	6W
Input voltage of LED module	36VDC
IP rating	IP54
Nominal flux	60lm
Light color	Red
Wavelength	640 nm
Beam angle	45°
L90 Lifetime at Ta: 25°C	50,000 hrs
L80 Lifetime at Ta: 25°C	100,000 hrs
Switching cycles	> 100,000 times
Safety class of LED module	Class III
Power with driver	7.5W
Nominal Voltage	220-240Vac 50/60Hz
Input current	38mA
Inrush current	< 2A
Power Factor	0.9
Working temperature range	-20°C ...+40°C
Percent flicker	< 2%
PstLM	< 1
SVM	< 0.4
Dimmable	Yes
IP rating of driver	IP20

Dimension Diagram

Item	Outer Diameter (mm)	In-ceiling Height (mm)	Cut-hole (mm)
LED Module IP54	90	40	68-83

Item	Length (mm)	Width (mm)	Height (mm)
Connector box IP20	80	58	22
Driver box IP20	60	47	22



Maximum loading of automatic circuit breakers

Breaker type	C10	C13	C16	C20	B10	B13	B16	B20	Inrush current	Inrush time
EVO E RED	120	160	200	240	60	80	100	120	I _{max} 2A	150µs

Spectrum distribution chart

