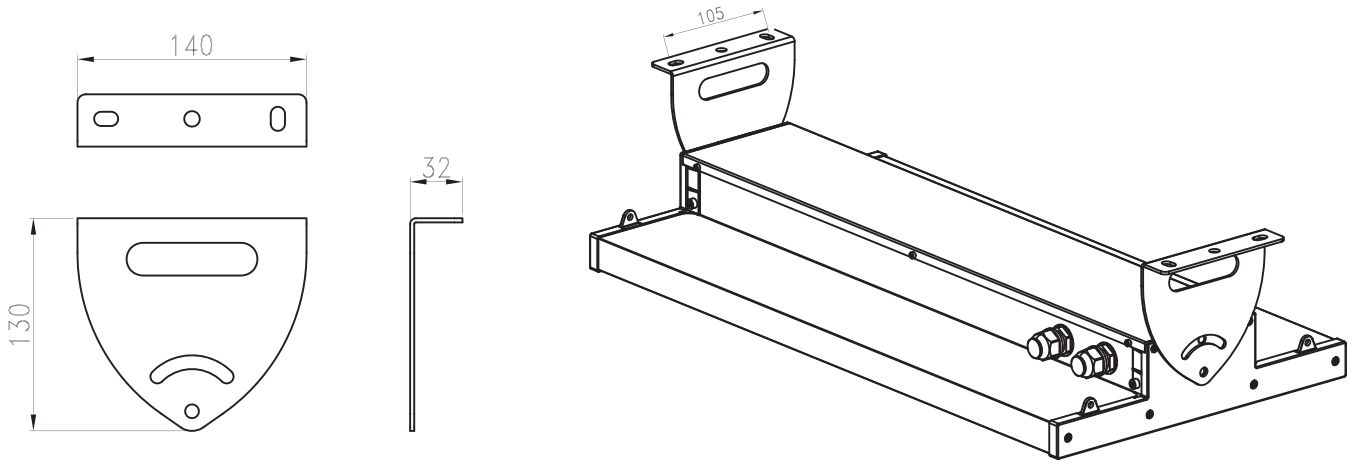


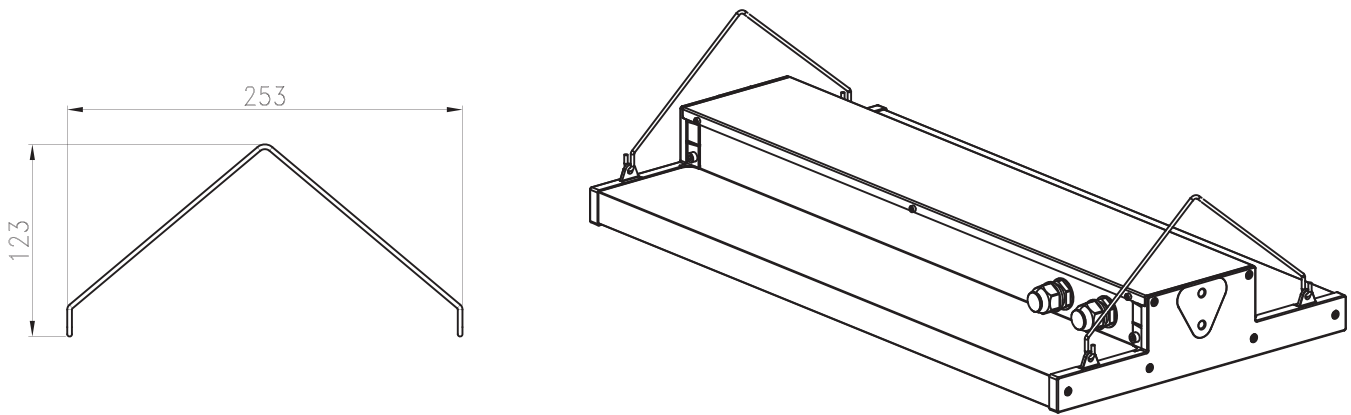
EAN Code	Length mm	Width mm	Height mm	Material
<b>Adjustable bracket</b>				
5701043025009	140mm	32mm	130mm	Metal

Needs to order seperately !



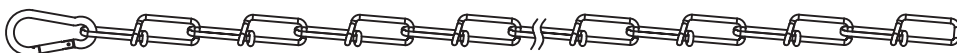
EAN Code	Width mm	Height mm	Diameter mm	Material
<b>V shape quick installation hook</b>				
5701043027003	253mm	123mm	3 mm	Stainless steel

Needs to order seperately !



EAN Code	Length mm	Material
<b>Installation chain</b>		
5701043026006	1000mm	Zic coated steel

Needs to order seperately !



# Surface mounted installation

**1**

M8 screws X 4 included

X 4  
M8

Expansion screws not included !

Switch off power before installation !

**2**

EAN Code	Distance mm	Width mm
5701043200802	677	105
5701043201502	987	105

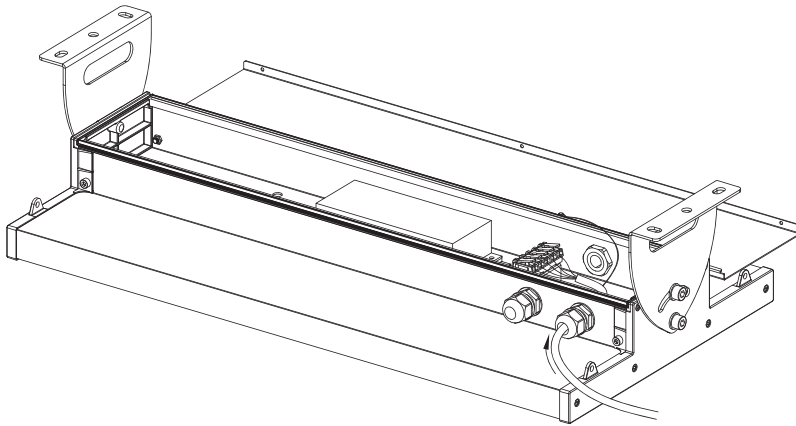
4 X min. 60KG

Distance

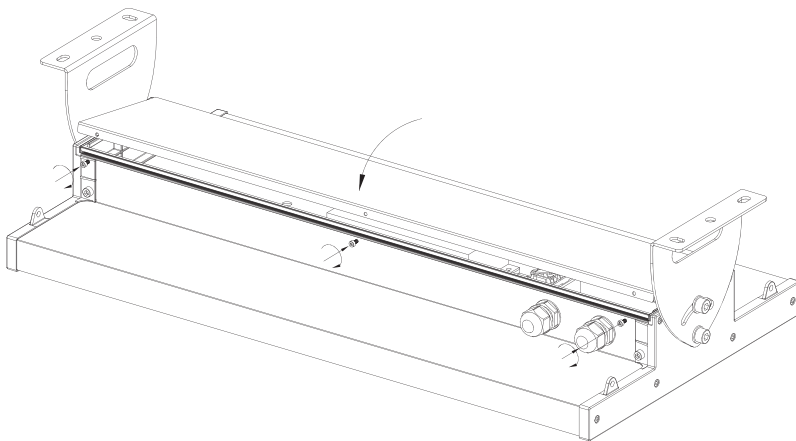
Width

**3**

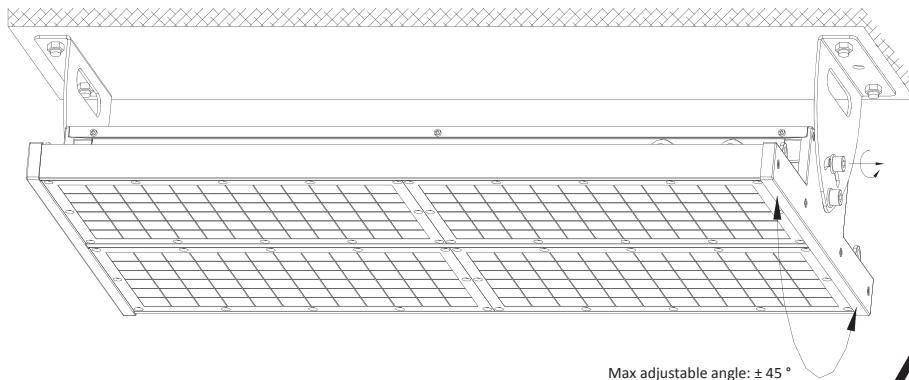
Remove screws to open the driver box before wiring.



4

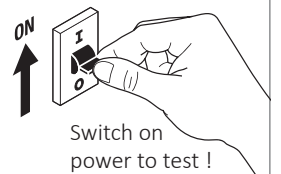


5

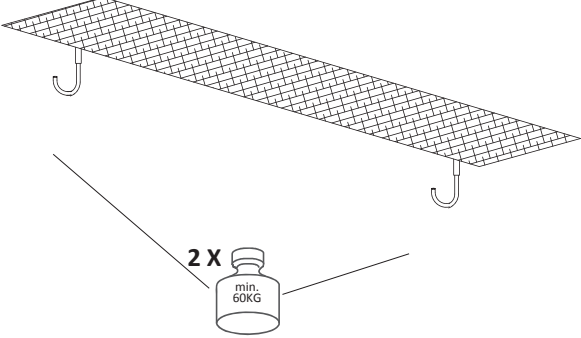


6


Max adjustable angle:  $\pm 45^\circ$



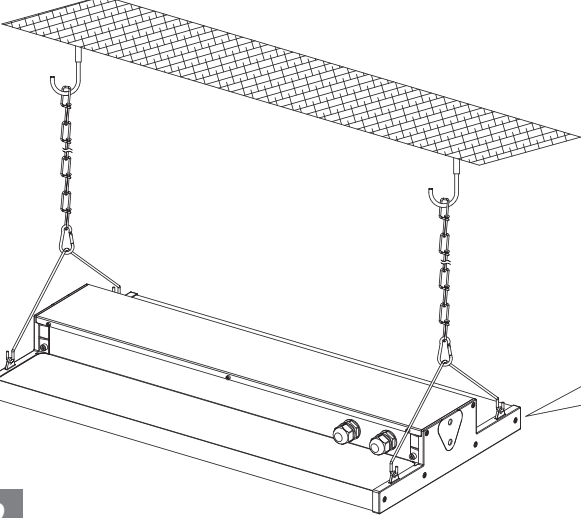
# Suspended installation

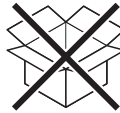


EAN Code	Distance mm
5701043200802	643
5701043201502	953




**1**






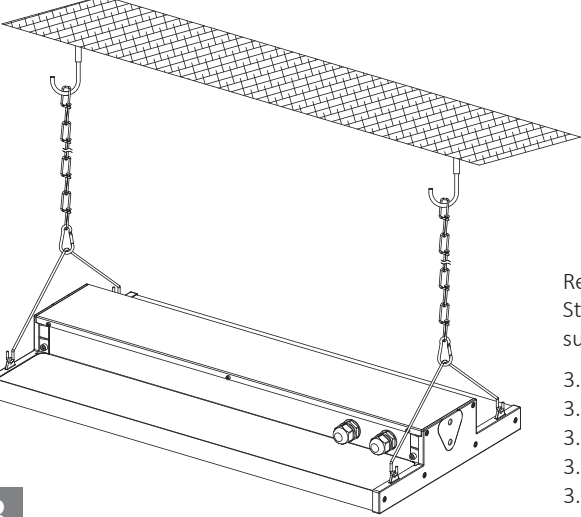
X 2

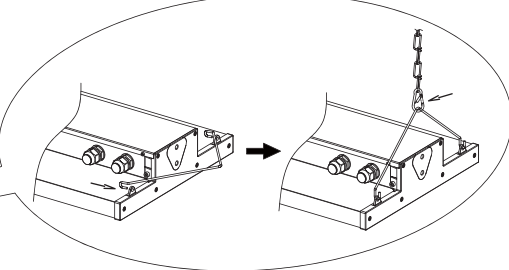



V hooks and chains are not included !



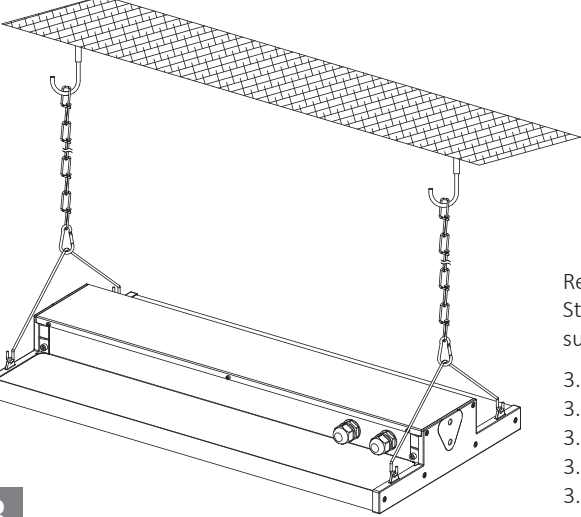
**2**







**3**



Remark:  
Step 3.1 to 3.4 just the same as the surface mounted installation.

3.1: Open the driver box;  
3.2: Do wiring works;  
3.3: Close the driver box;  
3.4: Installation now is finished;  
3.5: Turn on the power to test.

