

TOLEDO Prismatic Backlit



Product informaton

Toledo Prismatic Backlit mainly used in indoor lighting, office lighting, and commercial lighting, 25W, 150lm/ W.

Using high lumen SMD2835, high brightness and low light decay.

UGR<19 with micro prismatic diffuser.

Features

- * Energy saving LED Panel, high light efficiency 150lm/W with low wattage 25W.
- * Easy to change the CCT by CCT switch. Reduce customer inventory.
- * Suitable for recessed, suspended, ceiling installation
- * Easy replacement of LED and driver

Product data

General Informadon	
Light source type	LED
Number of LED module	8pcs
Beam angle of LED module	90°
Color temperature	3000K/4000K
CRI	80
LED module replaceable	Yes, only by professionals
Number of LED driver	1 unit
Driver included	Yes
L90 lifetime of LED module	<50,000 hrs
L80 lifetime of LED module	<100,000 hrs
LED module lumen	3750 lm
Operaring and Electrical	
Input Voltage	200-240 Vac
Input frequency	50 to 60 Hz
System wattage	25W
Power factor	0.95
Surge protection	2 kV (L/N-Ground)
Ambient temperature range	-20°C to + 40°C
Performance ambient temperature Tq	+25°C
SDCM	3 steps
Optical type	Diffuser

Control and dimming	On/off
Connection type	2 pole connector
Protection class IEC	Safety class II
Glow-wire test	Temperature 850°C
UGR	19
PstLM	please refer to driver
SVM	please refer to driver
CE Mark	Yes
EU RoHS compliant	Yes
Net weight (piece)	1.85Kg
Dimension	
Overall length	595mm
Overall width	595mm
Overall height	30 mm
Mechanical and Housing	
Housing material	AL
Optical material	PMMA
Housing color	RAL9016
Heatsink material	Al
Ingress protection code	IP20
Meeh, impact protection code	IK03
Remarks	
LED driver failure rate at 50,000hrs@25°C	5%
Power consumption tolerance	±5%

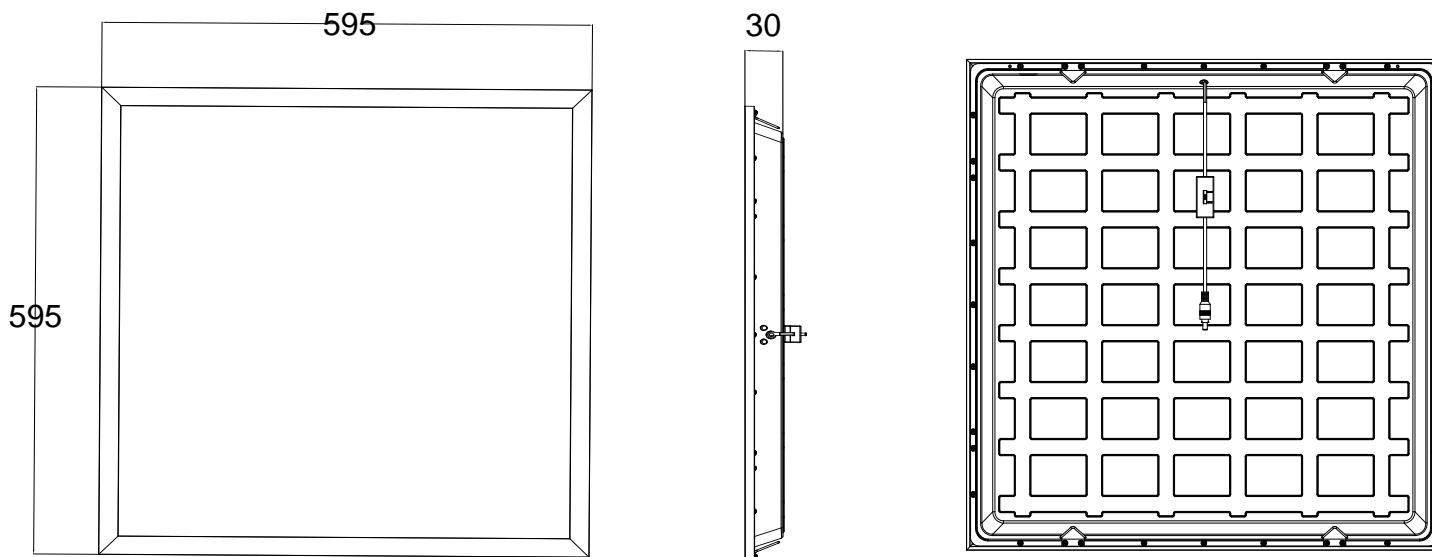
Specificatfons

Varenummer	LED Module Wattage*	Length mm	Width mm	Height mm	CCT (Kelvin)*	Rated Flux (Lm) *	CRI (Ra)*	Beam angle*	Energy Class	Dimming technology
570401560034	25W	595	595	30	CCT switch 3000K/4000K	3750	80	90°	D	NO

* Due to the special conditons of the manufacturing processes of LED, the typical data of technical parameters can only rereflect statistical figures and do not necessarily correspond to the actual parameters of each single product which could differ from the typical value. A max 10% tolerance is deemed to be acceptable in any case.

* 6500K version also available upon request.

Dimension drawings



UGR(Unified Glare Rating) Table

NAME: Toledo Prismatic Backlit	TYPE:	WEIGHT:
SPEC.:	DIM.:	SERIAL No.:
MFR.:	SUR.:	Shielding Angle:

ceiling/cavity		0.7	0.7	0.5	0.5	0.3	0.7	0.7	0.5	0.5	0.3
walls		0.5	0.3	0.5	0.3	0.3	0.5	0.3	0.5	0.3	0.3
working plane		0.2	0.2	0.2	0.2	0.2	0.2	0.2	0.2	0.2	0.2
Room dimensions		Viewed crosswise					Viewed endwise				
x = 2H y = 2H		14.4	15.7	14.7	16.0	16.2	14.8	16.1	15.0	16.3	16.6
	3H	15.3	16.6	15.7	16.9	17.1	15.8	17.1	16.1	17.3	17.6
	4H	15.8	17.0	16.2	17.3	17.6	16.3	17.5	16.7	17.8	18.1
	6H	16.2	17.3	16.6	17.6	17.9	16.8	17.9	17.1	18.2	18.5
	8H	16.3	17.4	16.7	17.7	18.0	16.9	18.0	17.3	18.3	18.7
	12H	16.4	17.4	16.8	17.7	18.1	17.1	18.1	17.4	18.4	18.8
	4H	2H	14.8	15.9	15.1	16.2	16.5	15.1	16.3	15.4	16.5
		3H	16.0	17.0	16.4	17.3	17.7	16.4	17.4	16.7	17.7
		4H	16.6	17.5	17.0	17.9	18.3	17.0	18.0	17.4	18.3
		6H	17.2	18.0	17.6	18.4	18.8	17.7	18.5	18.1	18.9
		8H	17.3	18.1	17.8	18.5	19.0	17.9	18.7	18.4	19.1
		12H	17.4	18.2	17.9	18.6	19.0	18.1	18.8	18.6	19.2
	8H	4H	16.9	17.7	17.3	18.1	18.5	17.3	18.0	17.7	18.4
		6H	17.6	18.3	18.1	18.7	19.2	18.1	18.7	18.5	19.2
		8H	17.9	18.5	18.4	19.0	19.5	18.4	19.0	18.9	19.5
		12H	18.1	18.6	18.6	19.1	19.6	18.7	19.2	19.2	19.7
	12H	4H	16.9	17.6	17.4	18.0	18.5	17.3	18.0	17.7	18.4
		6H	17.7	18.3	18.2	18.8	19.3	18.1	18.7	18.6	19.2
		8H	18.1	18.6	18.6	19.1	19.6	18.6	19.1	19.1	19.5
Variations with the observer position at spacings(CIE Pub.117):											
	S = 1.0H	+ 0.3 / - 0.4					+ 0.3 / - 0.3				
	1.5H	+ 0.1 / - 0.3					+ 0.1 / - 0.2				
	2.0H	+ 0.5 / - 0.5					+ 0.5 / - 0.4				

CIE Pub. 117, 3165lm Total Lamp Luminous Flux Corrected (8log(F/FO)=4.0)

Area:0.3m²