

UNI-TILE12 C



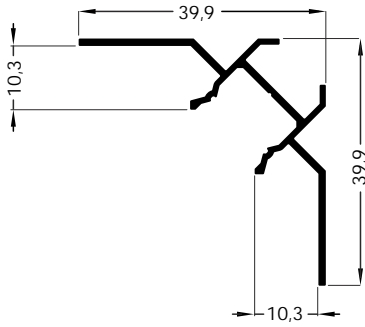
max 12 mm



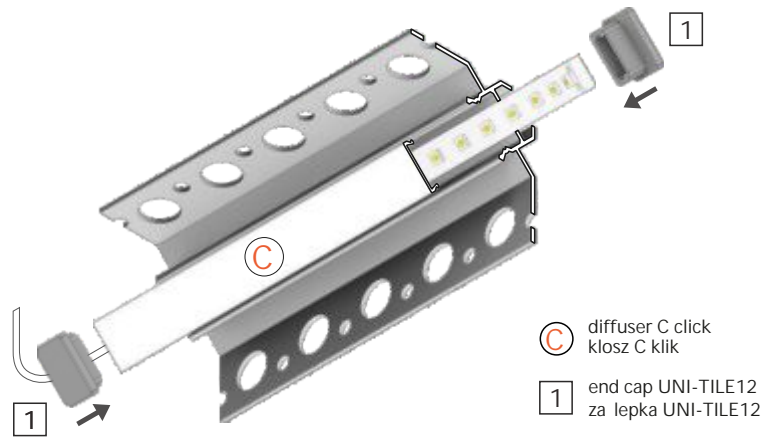
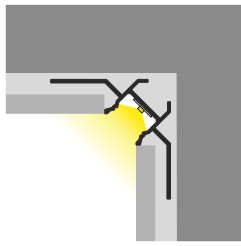
tile in
do płytek



architectural
architektoniczne

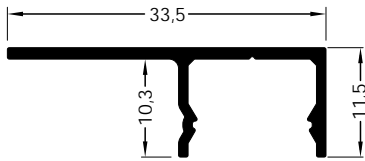


UNI-TILE12 90 deg/st C

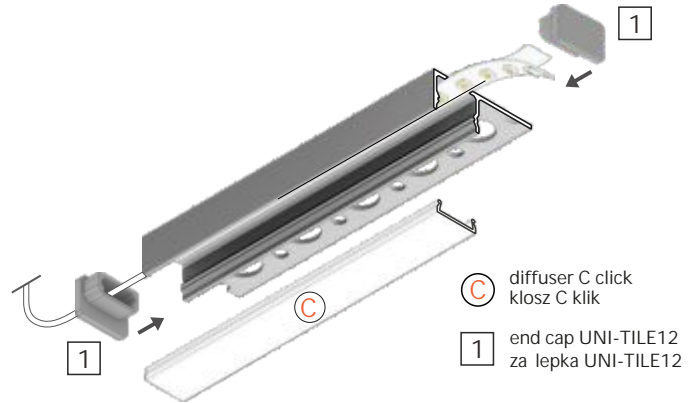


C diffuser C click
klosz C klik

1 end cap UNI-TILE12
za lepka UNI-TILE12

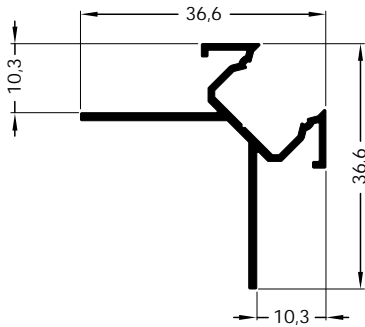


UNI-TILE12 180 deg/st C

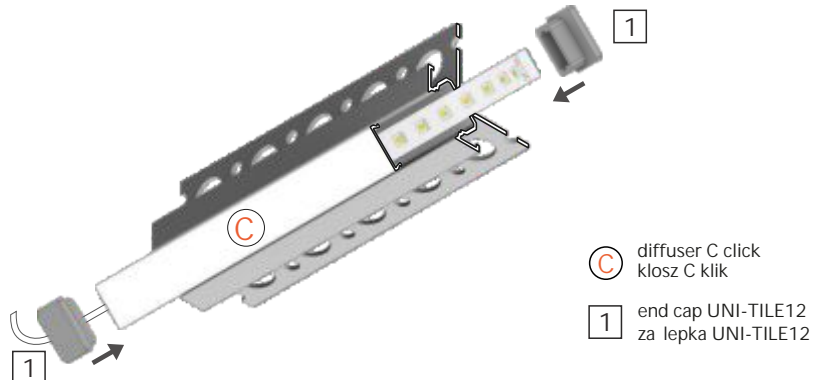
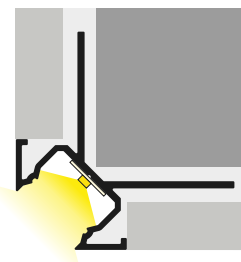


C diffuser C click
klosz C klik

1 end cap UNI-TILE12
za lepka UNI-TILE12



UNI-TILE12 270 deg/st C



C diffuser C click
klosz C klik

1 end cap UNI-TILE12
za lepka UNI-TILE12



scissors
no yczki



hacksaw
piłka



pliers
kombinerki



solder
cyna



soldering iron
lutownica



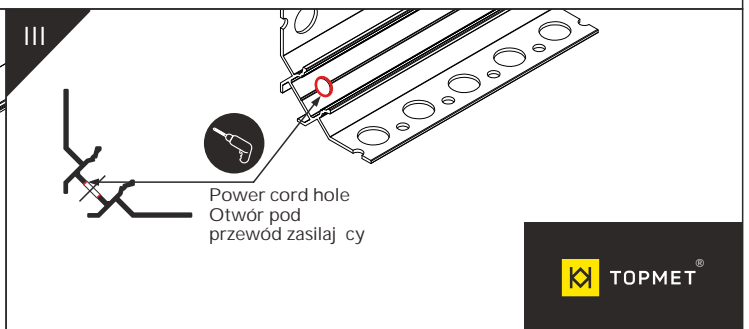
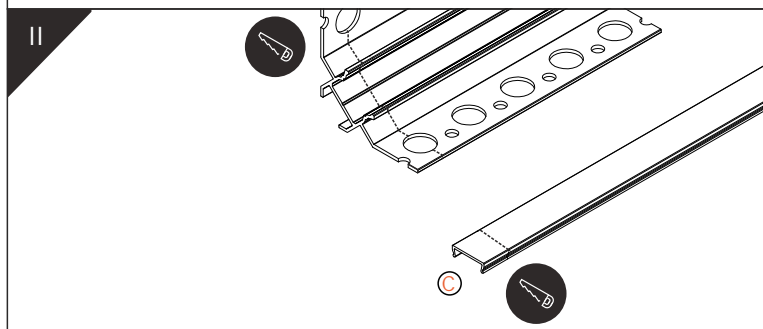
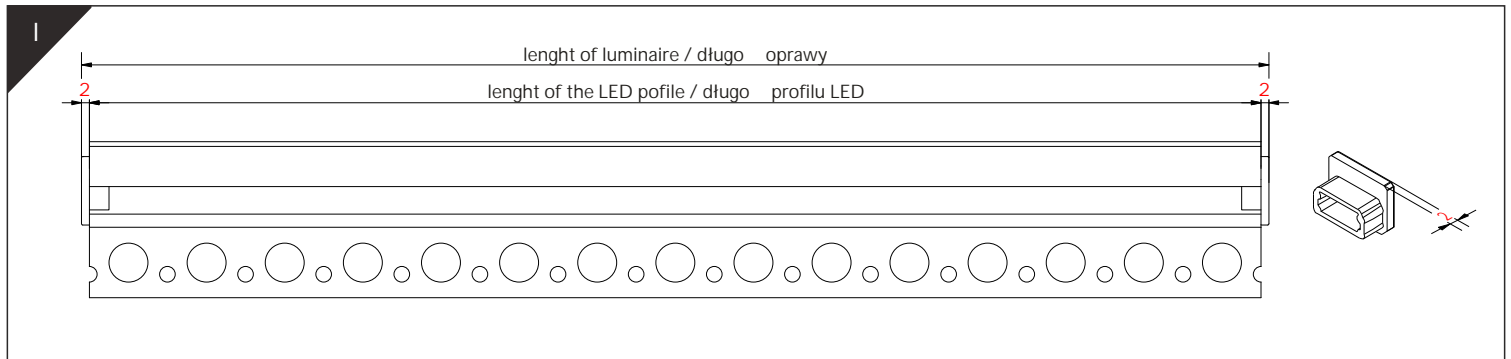
screwdriver
wkr tak

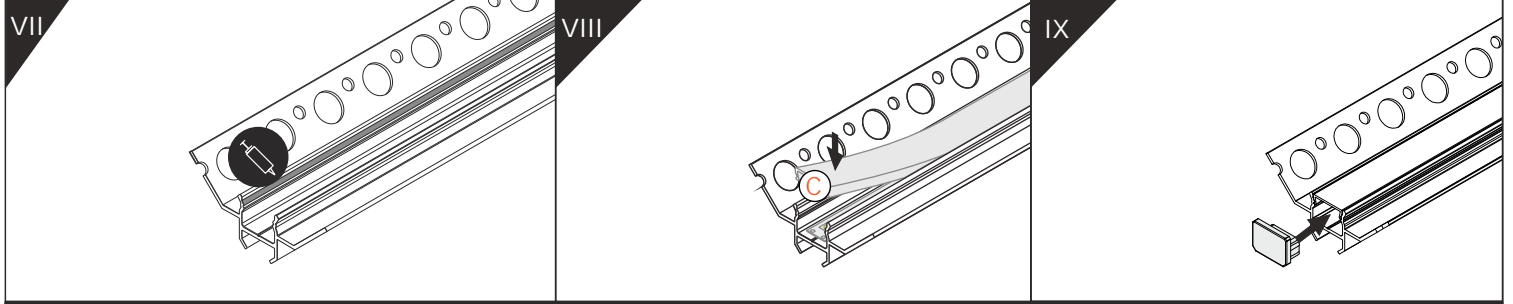
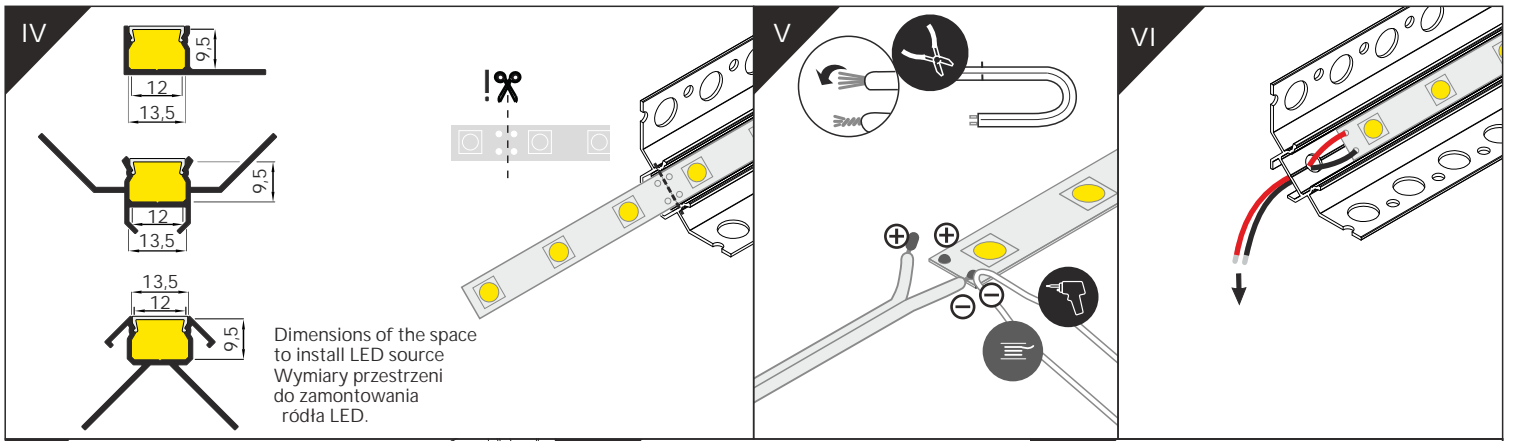


glue
klej

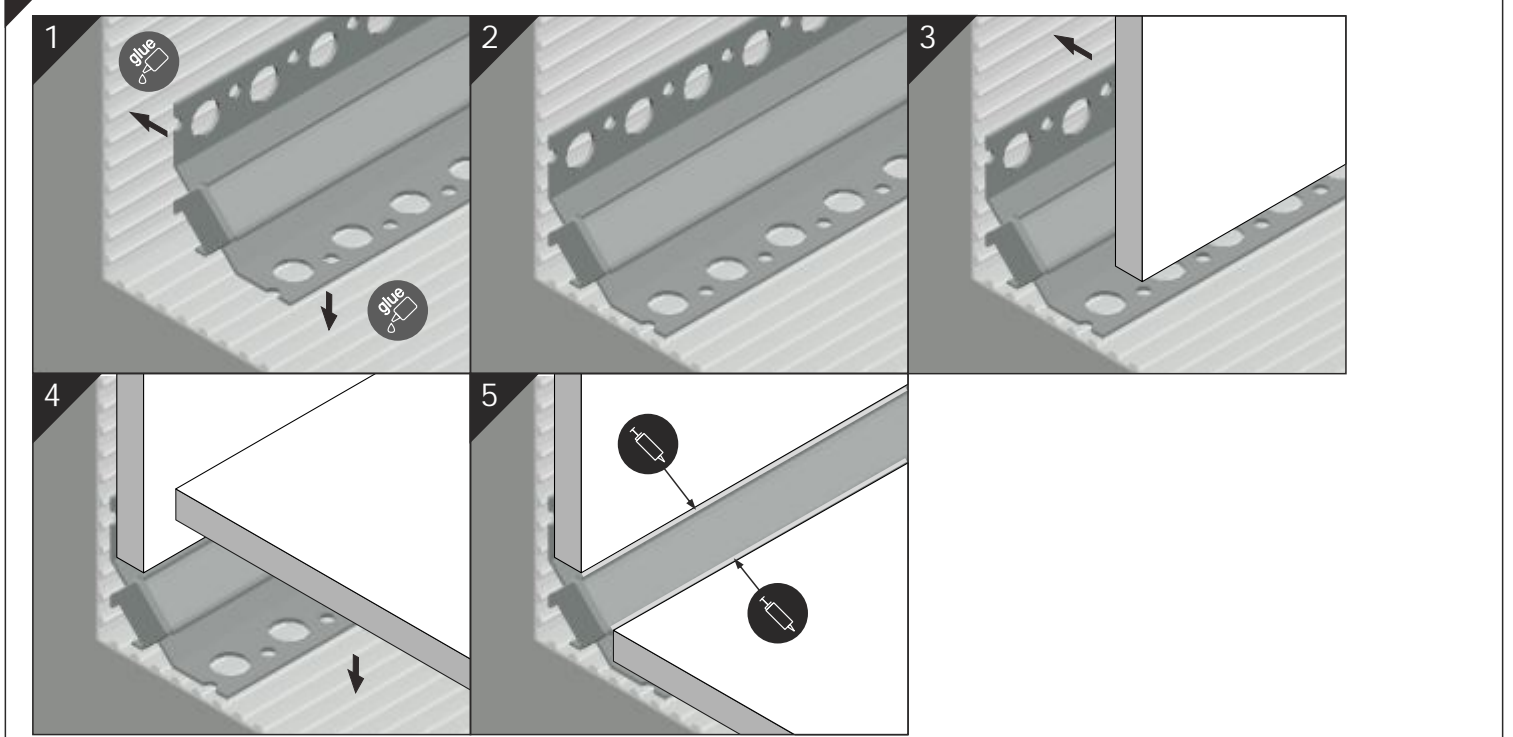


drill
wiertarka





X MOUNTING / MONTA



XI POWER SUPPLY / ZASILANIE

