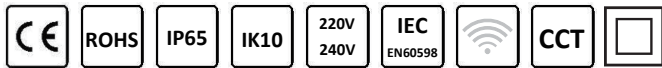


Brida Sensor CCT Plus



Product information

Brida Sensor PLUS monteres på enten væg eller loft. Leveres i hvid eller sort med lampehus i UV bestandigt plast. Wattagen kan indstilles i lampen fra 10W til 18W og den kan lyset i enten 3000K, 3500K eller 4000K. Brida kan let serviceres og både driver og LED/PCB kan udskiftes. Kabelgennemgang i lampen på både bagside og i siderne - hvorfor synlig installation er en mulighed. Lampen er sikret med anti tyveri / anti hærværk skruehoved.

Sensor PLUS giver dig mulighed for, at benytte lampens sensor til at styre en eller flere eksterne lamper - eksempelvis kan Brida Sensor PLUS styre et spejllarmatur på et badeværelse eller flere on/off lamper i et omklædningsrum.

Product data

| General Information | |
|------------------------------------|---|
| Light source type | LED |
| Number of LED module | 1 Pcs |
| Beam angle of LED module | 120° |
| Color temperature | 3000K, 3500K, 4000K |
| CRI | 80 |
| LED module replaceable | No |
| Number of LED driver | 1 Unit |
| Driver included | Yes |
| L90 life time of LED module | 45,000 hrs |
| L80 life time of LED module | 100,000 hrs |
| LED module lumen | 3000K: 2100lm 3500K: 2200lm 4000K: 2300lm |
| Operating and Electrical | |
| Input Voltage | 220-240 Vac |
| Input frequency | 50 to 60 Hz |
| System wattage | 10/11/13/14/15/16/18W |
| Inrush current | 18.2A |
| Inrush time | 52µs |
| Power factor | ≥ 0.9 |
| Surge protection | 1KV (L/N-Ground) |
| Ambient temperature range | -20°C to + 40°C |
| Performance ambient temperature Tq | +25°C |
| SDCM | 3 steps |
| Diffuser type | PC |

| Control and dimming | Sensor On/Off |
|---|-------------------|
| Connection type | 5 pole connector |
| Protection class IEC | Safety class II |
| Glow-wire test | Temperature 650°C |
| UGR | >21 |
| PstLM | < 1 |
| SVM | > 0.4 |
| CE Mark | Yes |
| EU RoHS compliant | Yes |
| Net weight (piece) | 0.99 Kg |
| Dimension | |
| Overall length | 290 mm |
| Overall width | 290 mm |
| Overall height | 55 mm |
| Mechanical and Housing | |
| Housing material | PC |
| Diffuser material | PC |
| Housing color | Hvid |
| Ingress protection code | IP65 |
| Meeh, impact protection code | IK10 |
| Remarks | |
| LED driver failure rate at 50,000hrs@25°C | 5% |
| Power consumption tolerance | ±5% |

Specifications

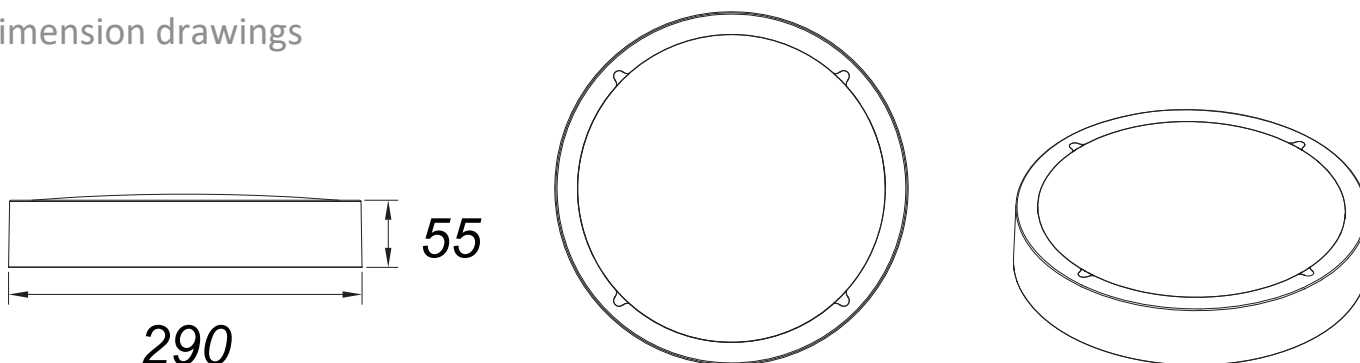
| Varenummer | LED Module Wattage* | Length mm | Width mm | Height mm | CCT (Kelvin)* | Rated Flux (Lm) * | CRI (Ra)* | Beam angle* | Energy Class | Dimming technology |
|----------------------|---------------------|-----------|----------|-----------|---------------|-------------------|-----------|-------------|--------------|--------------------|
| 5702318299705 (Hvid) | 18 | 290 | 290 | 55 | 3000K | 2100 | 80 | 120° | D | NO |
| 5702318299705 (Hvid) | 18 | 290 | 290 | 55 | 3500K | 2200 | 80 | 120° | D | NO |
| 5702318299705 (Hvid) | 18 | 290 | 290 | 55 | 4000K | 2300 | 80 | 120° | D | NO |

Due to the special conditions of the manufacturing processes of LED, the typical data of technical parameters can only reflect statistical figures and do not necessarily correspond to the actual parameters of each single product which could differ from the typical value. A max 10% tolerance is deemed to be acceptable in any case.

Circuit Breaker

| Circuit breaker model No. | B10 | B13 | B16 | B20 | C10 | C13 | C16 | C20 |
|----------------------------|-----|-----|-----|-----|-----|-----|-----|-----|
| Product name | | | | | | | | |
| Brida Sensor CCT Plus-Hvid | 79 | 103 | 125 | 158 | 79 | 103 | 125 | 158 |

Dimension drawings



Installation manual

1

Unscrew the diffuser anticlockwise. Vertically remove the diffuser and PCB.

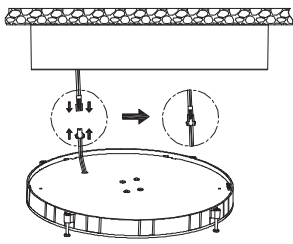
2

a. Cut off the power. Thread the input cable through the rubber plug to the fixture. Connect the L, N, Earth wire referring to the wiring diagram.
b. Knock the rawl plugs into the pre-drilled holes on ceiling. Wear plastic washers on self-tapping screws and tighten them to fix the fixture on ceiling.

3

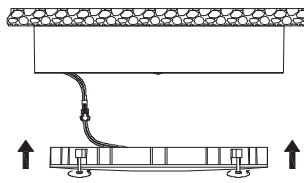
Install the cable clip.

4



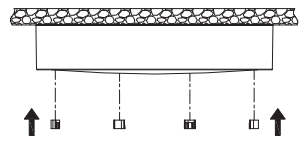
Connect the DC cable.

5



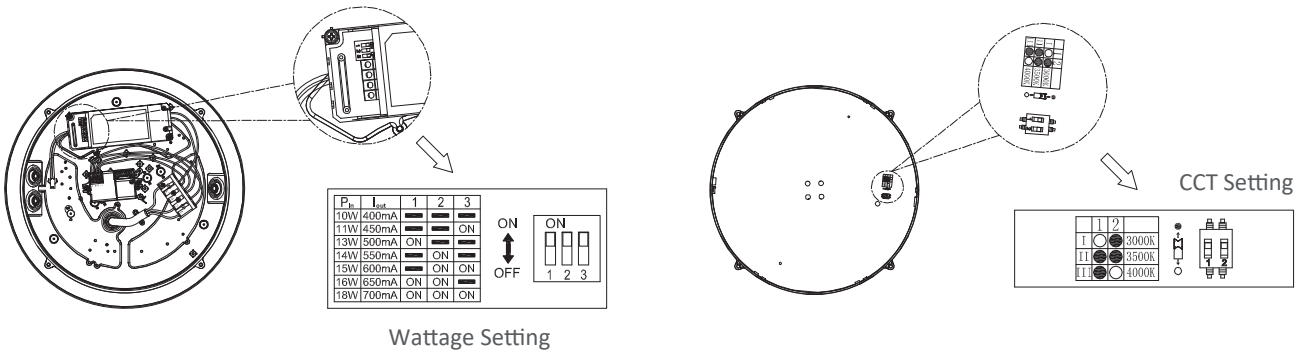
Mount the diffuser onto the base with screws.

6



Install the plastic plugs to hide the screws.

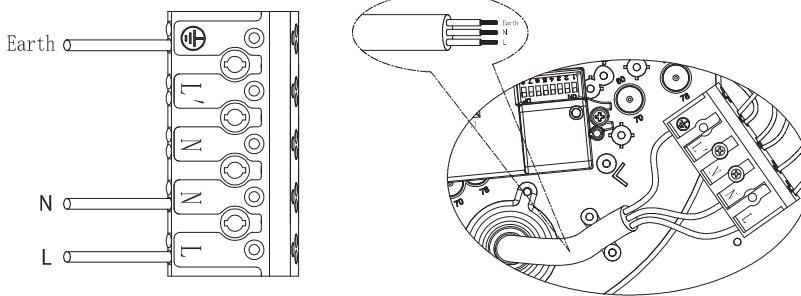
Installation 1



Wattage Setting

CCT Setting

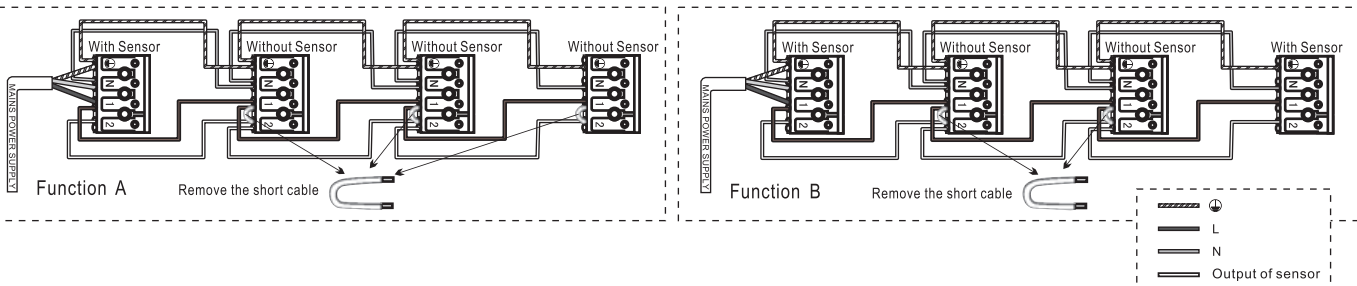
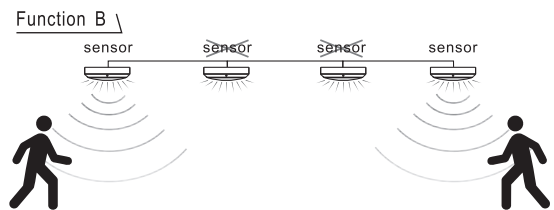
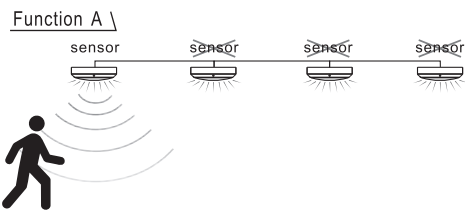
Wattage / CCT Setting 2



The min. diameter is $\geq 0.75\text{mm}^2$
Dimension: $\phi 8.5\text{mm} < \text{Cable} < \phi 11\text{mm}$

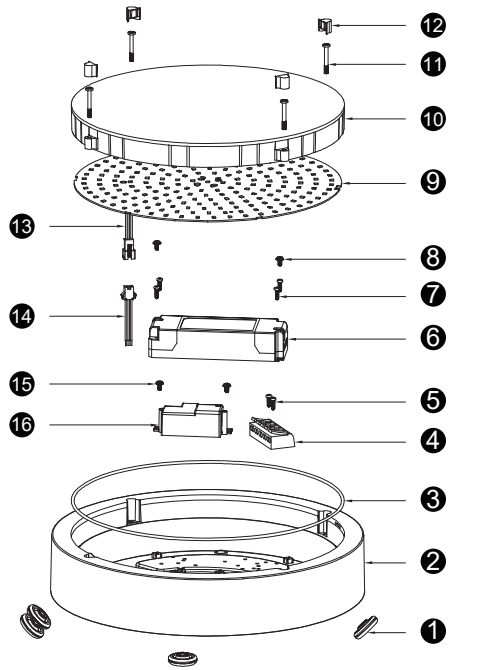
Connecting Power Supply 3-1

MASTER/SLAVE FUNCTION



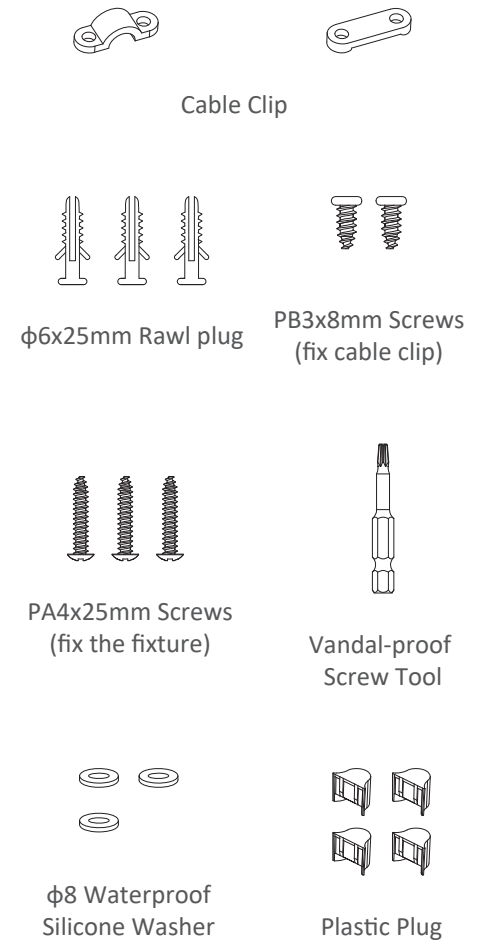
3-2

4 Explosion Drawing



- | | |
|------------------------------------|--|
| 1 Waterproof rubber plug | 9 LED Board |
| 2 Base | 10 Diffuser |
| 3 Waterproof ring | 11 Vandal-proof screw |
| 4 Terminal block | 12 Plastic screw plug |
| 5 Screws for terminal block fixing | 13 DC cable male plug |
| 6 Driver | 14 DC cable female plug |
| 7 Screws for driver cover fixing | 15 Screws for sensor controller fixing |
| 8 Screws for driver fixing | 16 Sensor controller |

5 Accessory



DK: Må kun installeres af autoriseret elinstallatør
 EN: Only to be installed by an authorized electrician.

UGR(Unified Glare Rating) Table

| | | |
|---|------------------------|--|
| Test:U:220.60V I:0.0920A P:18.600W PF:0.9130 Freq:50.00Hz Lamp Flux:2356.69x1 lm | | |
| Name: Brida Sensor CCT Plus-Hvid | Type: | |
| MFR.: | DIM.: Φ 290*55 mm | |
| | SUR.: Φ 252 mm | |

| ceiling/cavity | 0.7 | 0.7 | 0.5 | 0.5 | 0.3 | 0.7 | 0.7 | 0.5 | 0.5 | 0.3 |
|------------------------|-------------------------|-------------|-------------|-------------|-------------|-----------------------|-------------|-------------|-------------|-------------|
| walls | 0.5 | 0.3 | 0.5 | 0.3 | 0.3 | 0.5 | 0.3 | 0.5 | 0.3 | 0.3 |
| working plane | 0.2 | 0.2 | 0.2 | 0.2 | 0.2 | 0.2 | 0.2 | 0.2 | 0.2 | 0.2 |
| Room dimensions | Viewed crosswise | | | | | Viewed endwise | | | | |
| x = 2H y = 2H | 21.1 | 22.7 | 21.5 | 23.1 | 23.5 | 20.8 | 22.4 | 21.2 | 22.8 | 23.1 |
| 3H | 22.9 | 24.4 | 23.4 | 24.8 | 25.2 | 22.5 | 23.9 | 22.9 | 24.3 | 24.8 |
| 4H | 23.6 | 25.0 | 24.1 | 25.4 | 25.8 | 23.1 | 24.5 | 23.6 | 24.9 | 25.3 |
| 6H | 24.1 | 25.4 | 24.6 | 25.8 | 26.2 | 23.6 | 24.8 | 24.0 | 25.2 | 25.7 |
| 8H | 24.3 | 25.4 | 24.7 | 25.9 | 26.4 | 23.7 | 24.9 | 24.2 | 25.3 | 25.8 |
| 12H | 24.4 | 25.5 | 24.8 | 25.9 | 26.4 | 23.8 | 24.9 | 24.2 | 25.3 | 25.8 |
| 4H 2H | 21.7 | 23.1 | 22.1 | 23.5 | 23.9 | 21.4 | 22.8 | 21.9 | 23.2 | 23.6 |
| 3H | 23.7 | 24.9 | 24.2 | 25.3 | 25.8 | 23.4 | 24.5 | 23.8 | 25.0 | 25.4 |
| 4H | 24.5 | 25.6 | 25.0 | 26.0 | 26.5 | 24.1 | 25.1 | 24.6 | 25.6 | 26.1 |
| 6H | 25.2 | 26.1 | 25.6 | 26.5 | 27.1 | 24.7 | 25.6 | 25.2 | 26.0 | 26.6 |
| 8H | 25.4 | 26.2 | 25.9 | 26.7 | 27.2 | 24.8 | 25.7 | 25.3 | 26.2 | 26.7 |
| 12H | 25.5 | 26.3 | 26.0 | 26.8 | 27.3 | 24.9 | 25.7 | 25.5 | 26.2 | 26.7 |
| 8H 4H | 24.8 | 25.7 | 25.3 | 26.1 | 26.7 | 24.4 | 25.3 | 24.9 | 25.8 | 26.3 |
| 6H | 25.5 | 26.2 | 26.1 | 26.8 | 27.3 | 25.1 | 25.8 | 25.6 | 26.3 | 26.9 |
| 8H | 25.8 | 26.4 | 26.4 | 27.0 | 27.5 | 25.3 | 25.9 | 25.9 | 26.5 | 27.0 |
| 12H | 26.0 | 26.6 | 26.6 | 27.1 | 27.7 | 25.5 | 26.0 | 26.0 | 26.6 | 27.2 |
| 12H 4H | 24.8 | 25.6 | 25.4 | 26.1 | 26.6 | 24.5 | 25.2 | 25.0 | 25.7 | 26.3 |
| 6H | 25.6 | 26.2 | 26.2 | 26.7 | 27.3 | 25.2 | 25.8 | 25.7 | 26.3 | 26.9 |
| 8H | 25.9 | 26.5 | 26.4 | 27.0 | 27.6 | 25.4 | 26.0 | 26.0 | 26.5 | 27.1 |
| CIE190: 2010 | | | | | | | | | | |
| | | | | | | | | | | |

CIE190: 2010
Area: 0.051 m2

C Range: 0 - 360DEG
C Interval: 30.0DEG
Test Speed: HIGH
Temperature:25.3DEG
Operators:DAMIN
Test Date:2023-06-15

γ Range: 0 - 180DEG
γ Interval: 1.0DEG
Test System:EVERFINE GO-2000A_V1 SYSTEM V2.00.443
Humidity:65.0%
Test Distance:8.000m [K=0.7063]
Remarks: