

ALED

Oslo Connect SNS212 Ø600



Product information

Stilren designlampe med indbygget Philips SNS212 intelligent sensorstyring.

Oslo sikrer hurtig og nem montering og giver et godt uniformt lys med meget lav blænding. Oslo kan monteres direkte på loftet eller vedhænges i wire eller på montagestang.

Features

- * Udskiftelig driver
- * Uniform og jævnt lys på fronten
- * UGR<19
- *L90-50.000 timer ved 25 grader
- *L80-100.000 timer ved 25 grader
- *Lampehus i aluminium
- *Kontor, skole, hotel etc

Product data

General Information

Light source type	LED
Number of LED module	2 pcs
Beam angle of LED module	90°
Color temperature	3000K/4000K
CRI	80
LED module replaceable	Yes
Number of LED driver	1 unit
Driver included	Yes
Driver replaceable	Yes
L90 lifetime of LED module	50,000 hrs
L80 lifetime of LED module	100,000 hrs
LED module lumen	4800 lm

SDCM	3 steps
Optical type	Prismatisk
Control and dimming	SNS212 Philips sensor
Connection type	DC wire connector
Protection class IEC	Safety class I
Glow-wire test	650°C, 30 s
UGR	<19
PstLM	< 1
SVM	< 0.4
CE Mark	Yes
EU RoHS compliant	Yes
Net weight (piece)	4.58 Kg

Operating and Electrical

Input Voltage	220-240 Vac
Input frequency	50 to 60 Hz
System wattage	40 W
Inrush current	9.1 A
Inrush time	0.30 ms
Power factor	0.98
Leakage current	<0.7 mA(230Vac & full load))
Max. units per circuit B16 breaker	38
Max. units per circuit C10 breaker	34
Max. units per circuit C16 breaker	54
Surge protection	2KV L-N
Ambient temperature range	-20°C to + 45°C
Performance ambient temperature Tq	+25°C

Dimension

Overall diameter	φ585mm
Overall height	114 mm

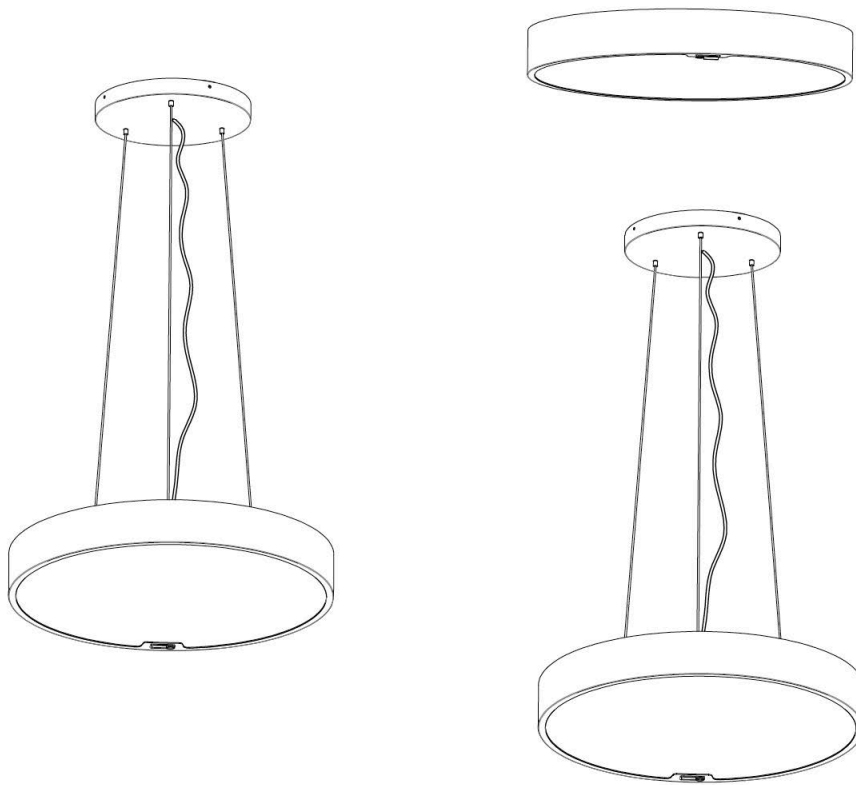
Mechanical and Housing

Housing material	Aluminum
Optical material	PMMA
Housing color	White,silver,black
Heatsink material	Aluminum
Ingress protection code	IP 20
Mech. impact protection code	IK 05

Remarks

LED driver failure rate at 50,000hrs	5 %
Power consumption tolerance	± 5 %

Product picture



Dimensional drawing

