

ALED

Oslo Connect SNS212 Ø600

op & nedlys



Product information

Stilren designlampe med indbygget Philips SNS212 intelligent sensorstyring.

Oslo sikrer hurtig og nem montering og giver et godt uniformt lys. Det opadrettede lys sikrer en ultra lav blænding. Oslo kan monteres direkte på loftet eller vedhænges i wire eller på montagestang.

Features

- * Udskiftelig driver
- * Uniform og jævnt lys på fronten
- * UGR<19
- *L90-50.000 timer ved 25 grader
- *L80-100.000 timer ved 25 grader
- *Lampehus i aluminium
- *Kontor, skole, hotel etc

Product data

General Information

| | |
|----------------------------|------------------------------|
| Light source type | LED |
| Number of LED module | 2 pcs |
| Beam angle of LED module | 90° |
| Color temperature | 3000K/4000K |
| CRI | 80 |
| LED module replaceable | Yes |
| Number of LED driver | 1 unit |
| Driver included | Yes |
| Driver replaceable | Yes |
| L90 lifetime of LED module | 50,000 hrs |
| L80 lifetime of LED module | 100,000 hrs |
| LED module lumen | 5940 lm(5049lm ned/891lm op) |

| | |
|----------------------|-----------------------|
| SDCM | 3 steps |
| Optical type | Prismatisk |
| Control and dimming | SNS212 Philips sensor |
| Connection type | DC wire connector |
| Protection class IEC | Safety class I |
| Glow-wire test | 650°C, 30 s |
| UGR | <19 |
| PstLM | < 1 |
| SVM | < 0.4 |
| CE Mark | Yes |
| EU RoHS compliant | Yes |
| Net weight (piece) | 4.61 Kg |

Operating and Electrical

| | |
|------------------------------------|------------------------------|
| Input Voltage | 220-240 Vac |
| Input frequency | 50 to 60 Hz |
| System wattage | 54 W |
| Inrush current | 9.1 A |
| Inrush time | 0.30 ms |
| Power factor | 0.98 |
| Leakage current | <0.7 mA(230Vac & full load)) |
| Max. units per circuit B16 breaker | 38 |
| Max. units per circuit C10 breaker | 34 |
| Max. units per circuit C16 breaker | 54 |
| Surge protection | 2KV L-N |
| Ambient temperature range | -20°C to + 45°C |
| Performance ambient temperature Tq | +25°C |

Dimension

| | |
|------------------|--------|
| Overall diameter | φ585mm |
| Overall height | 91mm |

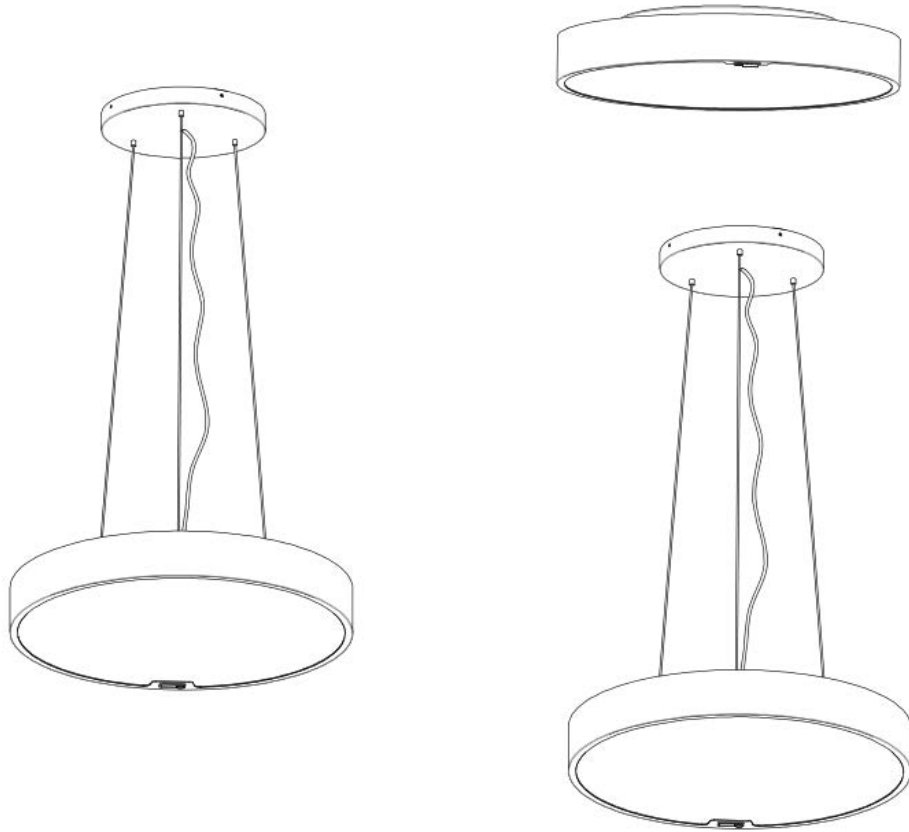
Mechanical and Housing

| | |
|------------------------------|--------------------|
| Housing material | Aluminum |
| Optical material | PMMA |
| Housing color | White,silver,black |
| Heatsink material | Aluminum |
| Ingress protection code | IP 20 |
| Mech. impact protection code | IK 05 |

Remarks

| | |
|--------------------------------------|-------|
| LED driver failure rate at 50,000hrs | 5 % |
| Power consumption tolerance | ± 5 % |

Product ρ



Dimensional drawing

