

EVO D Sunfall Performance



5
YEAR
WARRANTY



Features

- * High strength spring installation, screwless terminal block
- * IP 54 rated, suitable for both indoor and outdoor applications
- * Suitable for 82~83 mm cutting out hole.s
- * 50,000 hours lifetime (L90F10). 5 year limited warranty.
- * Compatible with leading edge or trailing edge dimmers
- * Flicker free, CRI up to Ra98, R9>95
- * Complied with IEC/EN62471 photobiological safety standard



Electrical and Photometric Characteristics

| | |
|-----------------------------|-----------------|
| LLED module power | 7W |
| Input voltage of LED module | 36VDC |
| IP rating | IP54 |
| Nominal flux | 630lm |
| CRI | Ra 98 |
| Typical R9 | 95 |
| Beam angle | 60° |
| L90 Lifetime at Ta: 25°C | 50,000 hrs |
| L80 Lifetime at Ta: 25°C | 100,000 hrs |
| Switching cycles | > 100,000 times |
| Safety class of LED module | Class III |
| Energy class of LED module | F |

Operation and Maintenance Tips

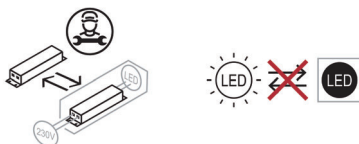
- * Turn power off before inspection, installation or removal
- * The luminaire is not suitable for emergency lighting
- * All install and uninstall shall be done by a certified electrician
- * Do not operate luminaire with damaged part
- * Exceeding maximum ratings for operating temperature and input voltage will reduce expected life time or destroy the product.

| | |
|---------------------|------------------|
| Power with driver | 9W |
| Nominal Voltage | 220-240Vac |
| Frequency | 50/60Hz |
| Input current | 45 mA |
| Inrush current | 2A |
| Connection | 5 pole connector |
| Percent flicker | < 2% |
| PstLM | < 0.1 |
| SVM | < 0.1 |
| Dimmable | Yes |
| IP rating of driver | IP20 |

Energy Class

This product contains a light source in the energy efficiency

class: **F** **A** **G**



Specifications

| EAN Code | LED Wattage* | Size mm (DxH) | CCT (Kelvin)* | Rated Flux (Lm)* | CRI (Ra)* | Beam angle* | Energy Class | SDCM | Finishing |
|----------------------------------|--------------|---------------|---------------|------------------|-----------|-------------|--------------|------|-----------|
| EVO D Sunfall Performance | | | | | | | | | |
| 5703059223011 | 7 | 90x49 | 2200-3000 | 630 | 98 | 60° | F | 2 | White |
| 5703059223028 | 7 | 90x49 | 2200-3000 | 630 | 98 | 60° | F | 2 | Black |
| 5703059223035 | 7 | 90x49 | 2200-3000 | 630 | 98 | 60° | F | 2 | Brass |

* Due to the special conditions of the manufacturing processes of LED, the typical data of technical parameters can only reflect statistical figures and do not necessarily correspond to the actual parameters of each single product which could differ from the typical value. A max 10% tolerance is deemed to be acceptable in any case.

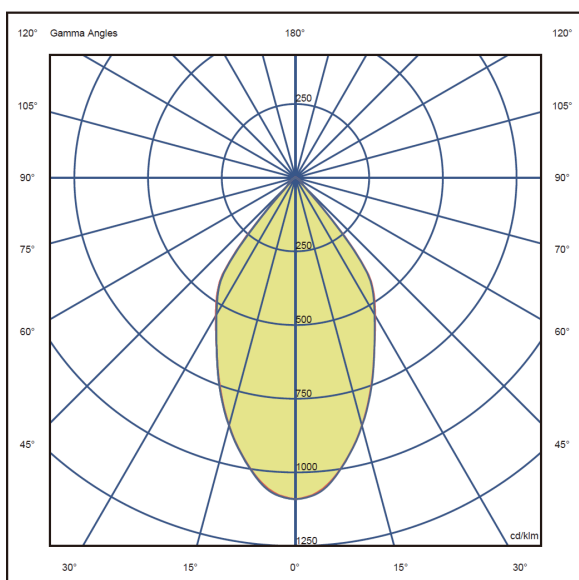
* 38D version also available upon request.

Maximum loading of automatic circuit breakers

| Breaker type | C10 | C13 | C16 | C20 | B10 | B13 | B16 | B20 | Inrush current |
|---------------------------|-----|-----|-----|-----|-----|-----|-----|-----|---------------------|
| EVO D Sunfall Performance | 120 | 160 | 200 | 240 | 60 | 80 | 100 | 120 | I _{max} 2A |

This are max. values calculated out of inrush current! Please consider not to exceed the maximum rated continuous current of the circuit breaker. Actual values may differ due to used circuit breaker types and installation environment.

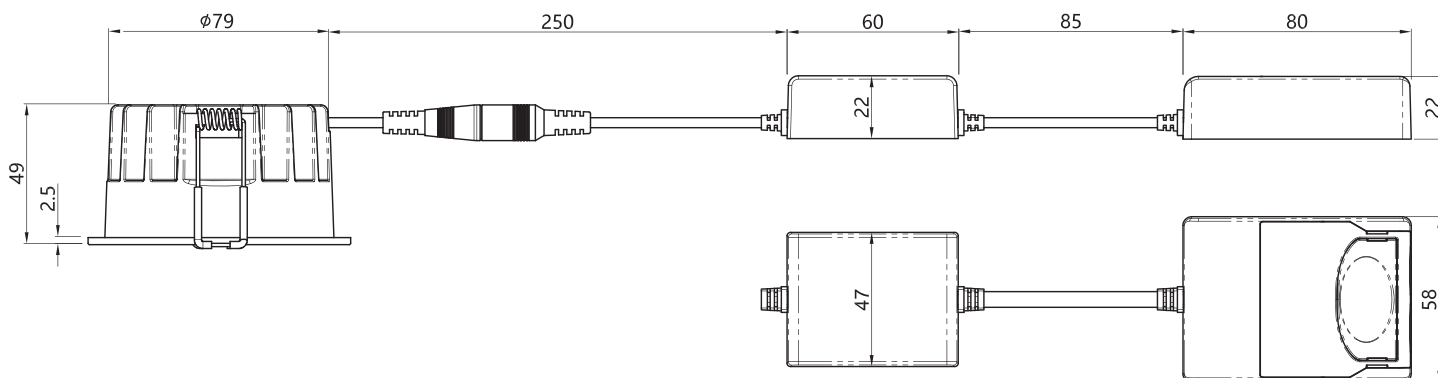
Distribution of luminous intensity



Dimension Diagram

| Item | Outer Diameter (mm) | In-ceiling Height (mm) | Cut-hole (mm) |
|------------|---------------------|------------------------|---------------|
| LED Module | 90 | 46.5 | 82-83 |

| Item | Length (mm) | Width (mm) | Height (mm) |
|---------------|-------------|------------|-------------|
| Connector box | 80 | 58 | 22 |
| Driver box | 60 | 47 | 22 |



Lifetime

